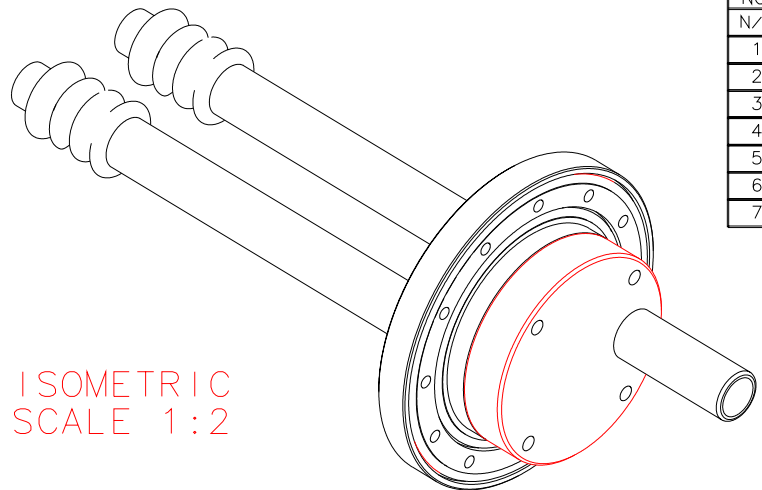


NOTES: UNLESS OTHERWISE NOTED

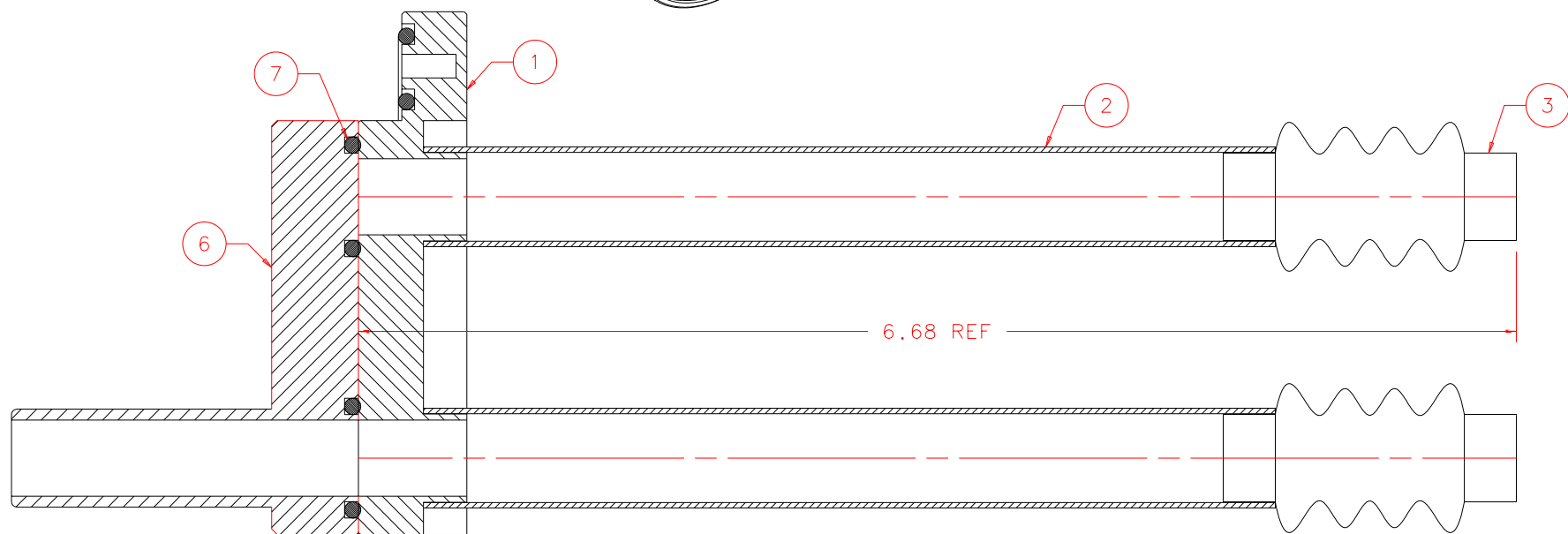
1. MACHINED SURFACE ROUGHNESS 64
2. O-RING GROOVES AND SURFACES 32
3. REMOVE ALL BURRS/SHARP CORNERS



ISOMETRIC  
SCALE 1:2

BILL OF MATERIAL				
NO.	REQ'D	REF DRW	DESCRIPTION	MATERIAL
N/A	1	SL3-001A	FILL NECK	N/A
1	1	SL3-011A	FILL NECK FLANGE	ALU 6061-T6
2	2	SL3-012A	G-10 FILL TUBE	G-10
3	2	N/A	BELLOWS SS-500-50-41(MINIFLEX)	STAINLESS
4	1	N/A	O-RING 2-144	BUNA-N
5	1	N/A	O-RING 2-152	BUNA-N
6	1	SL3-013A	EVACUATION ADAPTOR	ALU 6061-T6
7	2	N/A	O-RING 2-112	BUNA-N

EPOXY PARTS TOGETHER  
USING ECCOBOND 286.  
DONE AT IFA



SECTION  
SCALE 1:1

REVDATE: 09/15/98	REVISION: ADD EVACUATION ADAPTOR ITEM 6
REVDATE: N/A	REVISION: N/A
DATE: 03/25/97	<b>INSTITUTE FOR ASTRONOMY</b> 2680 WOODLAWN DR. HONOLULU, HI 96822
DESIGN: STAHLBERGER	
DRAWN: STAHLBERGER	INSTRUMENT: SPEX - CROSS DISPERSED SPECTROGRAPH
APPR'D: J. RAYNER	PART NAME: FILL NECK
<b>TOLERANCES</b>	
X.X	+/- .015
X.XX	+/- .005
X.XXX	+/- .002
ANGLE	+/- 30 min
FRACTION	+/- 1/32
DRW NO: SL3-001A	SCALE: NOTED
SIZE: A	JOS NO: 725
SHEET: 1 OF 1	

PLOT: 10/19/99

SL0-001B  
NEXT ASSY