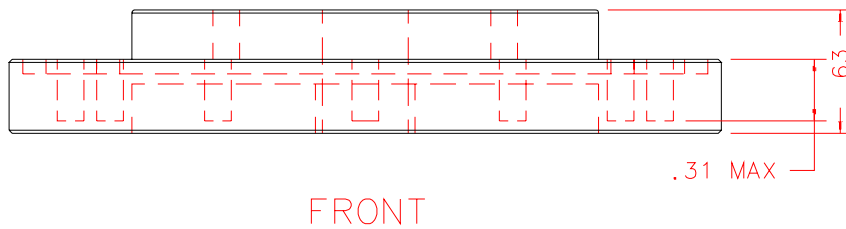
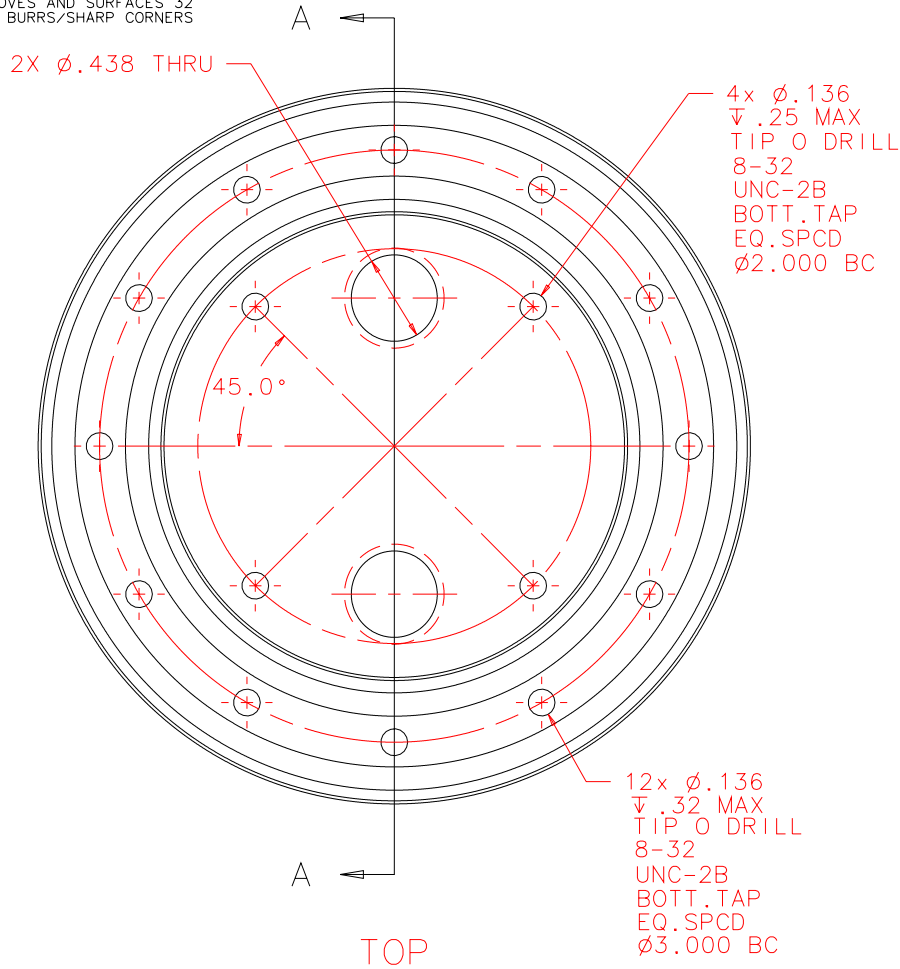
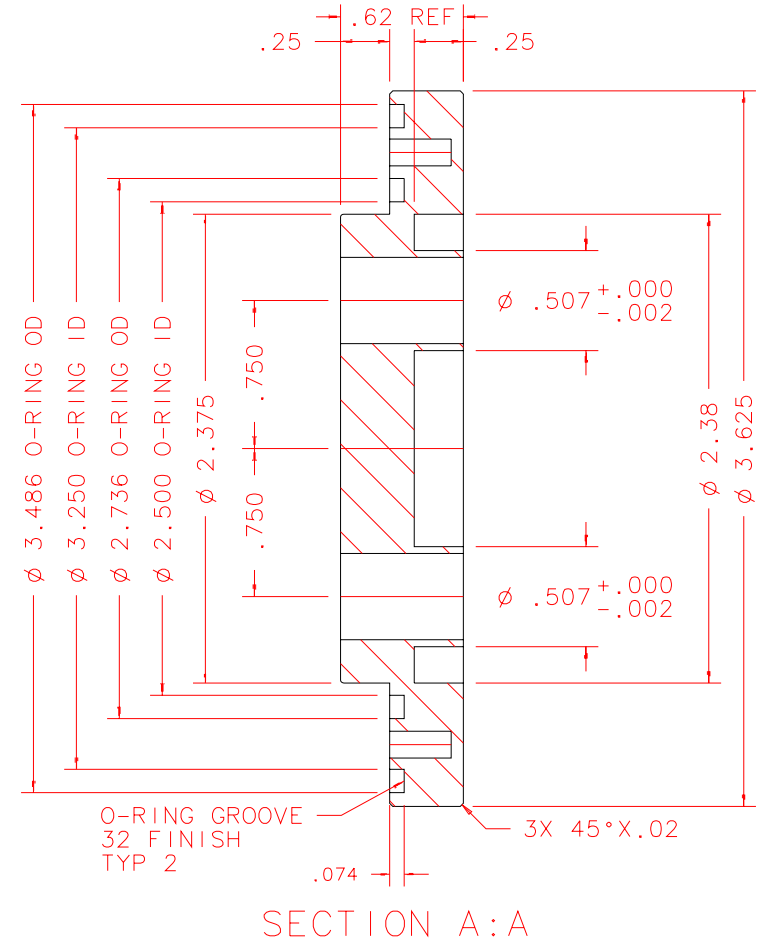


NOTES: UNLESS OTHERWISE NOTED

1. MACHINED SURFACE ROUGHNESS 64
O-RING GROOVES AND SURFACES 32
2. REMOVE ALL BURRS/SHARP CORNERS



BILL OF MATERIAL				
NO.	REQ'D	REF DRW	DESCRIPTION	MATERIAL
N/A	1	SL3-011A	FILL NECK FLANGE	STAINLESS



REVDATE: 03/04/99	REVISION: MATERIAL CHNGD TO STAINLESS
REVDATE: N/A	REVISION: N/A
DATE: 01/08/97	INSTITUTE FOR ASTRONOMY
DESIGN: STAHLBERGER	2680 WOODLAWN DR. HONOLULU, HI 96822
DRAWN: STAHLBERGER	INSTRUMENT: SPEX - CROSS DISPERSED SPECTROGRAPH
APPR'D: J. RAYNER	PART NAME: FILL NECK FLANGE
TOLERANCES	TELESCOPE: IRTF
X.X +/- .015	DRW NO: SL3-011A
X.XX +/- .005	SCALE: 1:1
X.XXX +/- .002	SIZE: A
ANGLE +/- 30 min	JOS NO: 762
FRACTION +/- 1/32	SHEET: 1 OF 1

SL3-001A
NEXT ASSY

PLOT:10/19/99