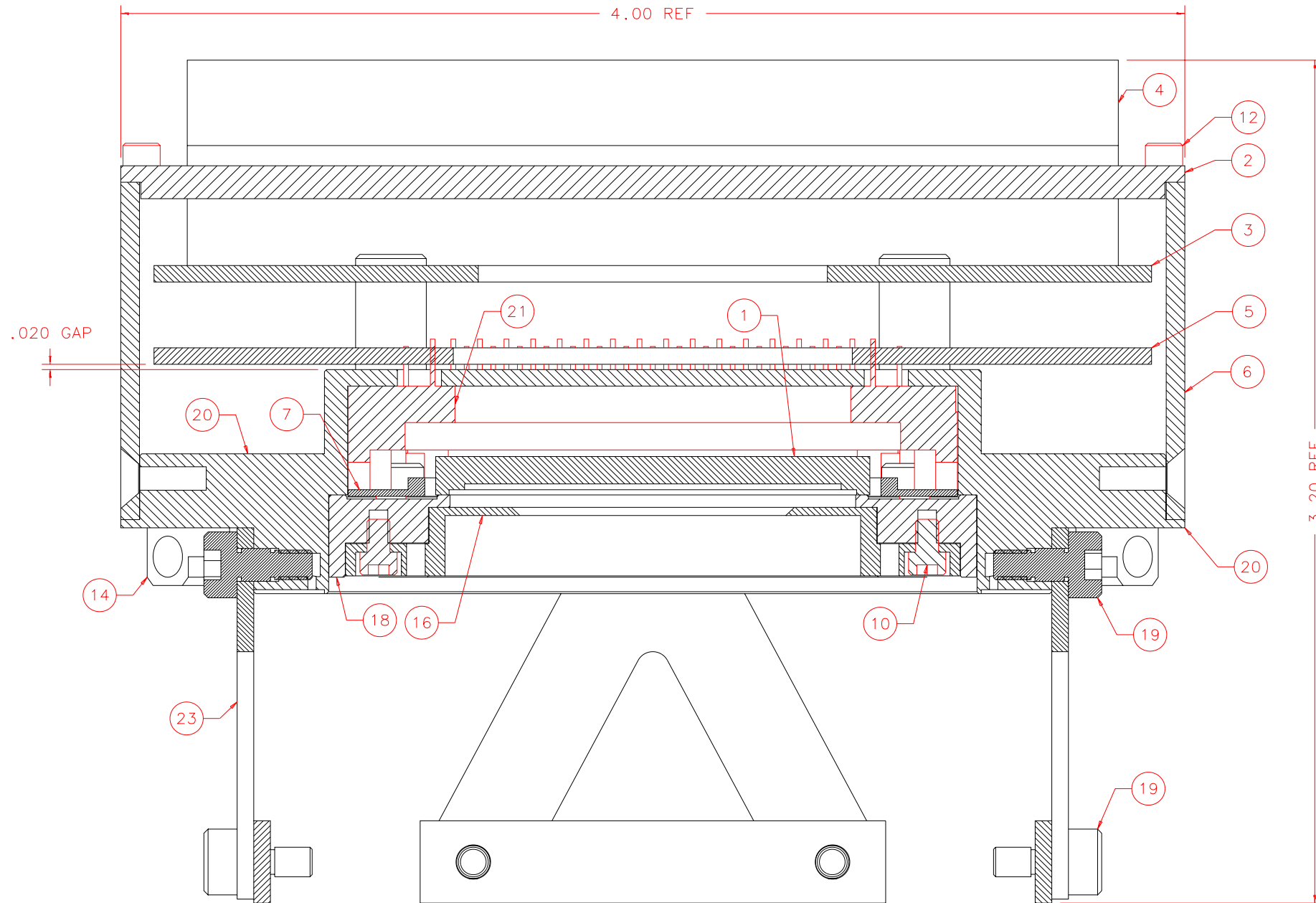


NOTES: UNLESS OTHERWISE NOTED
 1. MACHINED SURFACE ROUGHNESS 64
 O-RING GROOVES AND SURFACES 32
 2. REMOVE ALL BURRS/SHARP CORNERS

NOTES:
 A) EPOXY 20 TO 21 AT ASSY
 B) FOCAL PLANE MASK, ITEM 16 TO BE CUSTOM CUT FOR INDIVIDUAL ARRAY
 C) USE VENTED SCREWS FOR NONPENETRATING TREADED HOLES
 D) ITEM 24 ONE SHOWN ONLY



SECTION A-A: SCALE 2:1

BILL OF MATERIAL

NO.	REQ'D	REF DRW	DESCRIPTION	MATERIAL
N/A	1	SMO-001B	ALADDIN GENERIC	N/A
1	1	N/A	ALADDIN ARRAY	INSB
2	1	SMO-013A	COVER PLATE	ALU 6061-T6
3	1	SMO-014A	DAUGHTER BOARD	G-10
4	2	N/A	ELECTRIC CONNECTOR	MOLDED PLASTIC
5	1	SMO-015A	FANOUT BOARD	G-10
6	1	SMO-016B	FARADAY SHIELD	ALU 6061-T6
7	1	SMO-017A	FOWLER SPACER	G-10CR
8	1	SMO-040A	RIBBON CABLE CLAMP	ALU 6061-T6
9	1	SMO-041A	RIBBON CABLE MOUNT	ALU 6061-T6
10	2	N/A	HEX SOCKET HEAD 2-56 X 1/8	STAINLESS
11	10	N/A	HEX SOCKET HEAD 6-32 X 1/4	STAINLESS
12	6	N/A	HEX SOCKET HEAD 2-56 X 3/8	STAINLESS
13	4	N/A	HEAD SOCKET HEAD 4-40 X 3/4	STAINLESS
14	4	SMO-020A	RESISTOR MOUNT	COPPER OFHC
15	1	SMO-034A	FOCAL PLANE BLANKOFF	ALU 6061-T6
16	1	SMO-035A	FOCAL PLANE MASK	ALU 6061-T6
17	1	SMO-039A	MAZE COVER PLATE	ALU 6061-T6
18	1	SMO-036A	PRESSURE PLATE	ALU 6061-T6
19	12	N/A	SHOULDER SCREW PZ-1-3(BERG)	STAINLESS
20	1	SMO-037B	YAMAICHI SOCKET HOUSING	ALU 6061-T6
21	1	SMO-038A	YAMAICHI SOCKET MOD	MOLDED PLASTIC
22	1	N/A	TEMP SENSOR DT-471-BR(LAKESHORE)	CERAMIC
23	4	SMO-029A	V-TRUSS	G-10CR
24	20	N/A	VENT SOCK FLAT HEAD FA-403(U-C)	STAINLESS
25	4	SMO-030A	X-Y SHIM NOMINAL	ALU 6061-T6
26	2	N/A	HEX SOCKET HEAD 4-40 x 1/4	STAINLESS
27	2	N/A	HEX SOCKET HEAD 2-56 x 3/16	STAINLESS

REVDATE: 04/21/99	REVISION: NAME CHANGE: RESISTOR MOUNT
REVDATE: N/A	REVISION: N/A
DATE: 11/13/98	INSTITUTE FOR ASTRONOMY
DESIGN: STAHLBERGER	2680 WOODLAWN DR. HONOLULU, HI 96822
DRAWN: STAHLBERGER	INSTRUMENT: SPEX - CROSS DISPERSED SPECTROGRAPH
APPR'D: J. RAYNER	PART NAME: ALADDIN GENERIC
TOLERANCES	TELESCOPE: IRTF
X.X +/- .015	
X.XX +/- .005	
X.XXX +/- .002	
ANGLE +/- 30 min	
FRACTION +/- 1/32	
DRW NO: SMO-001B	SCALE: NOTED
SIZE: B	JOS NO: 725
	SHEET: 2 OF 1