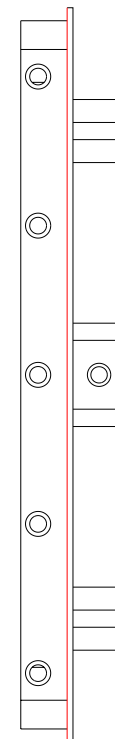
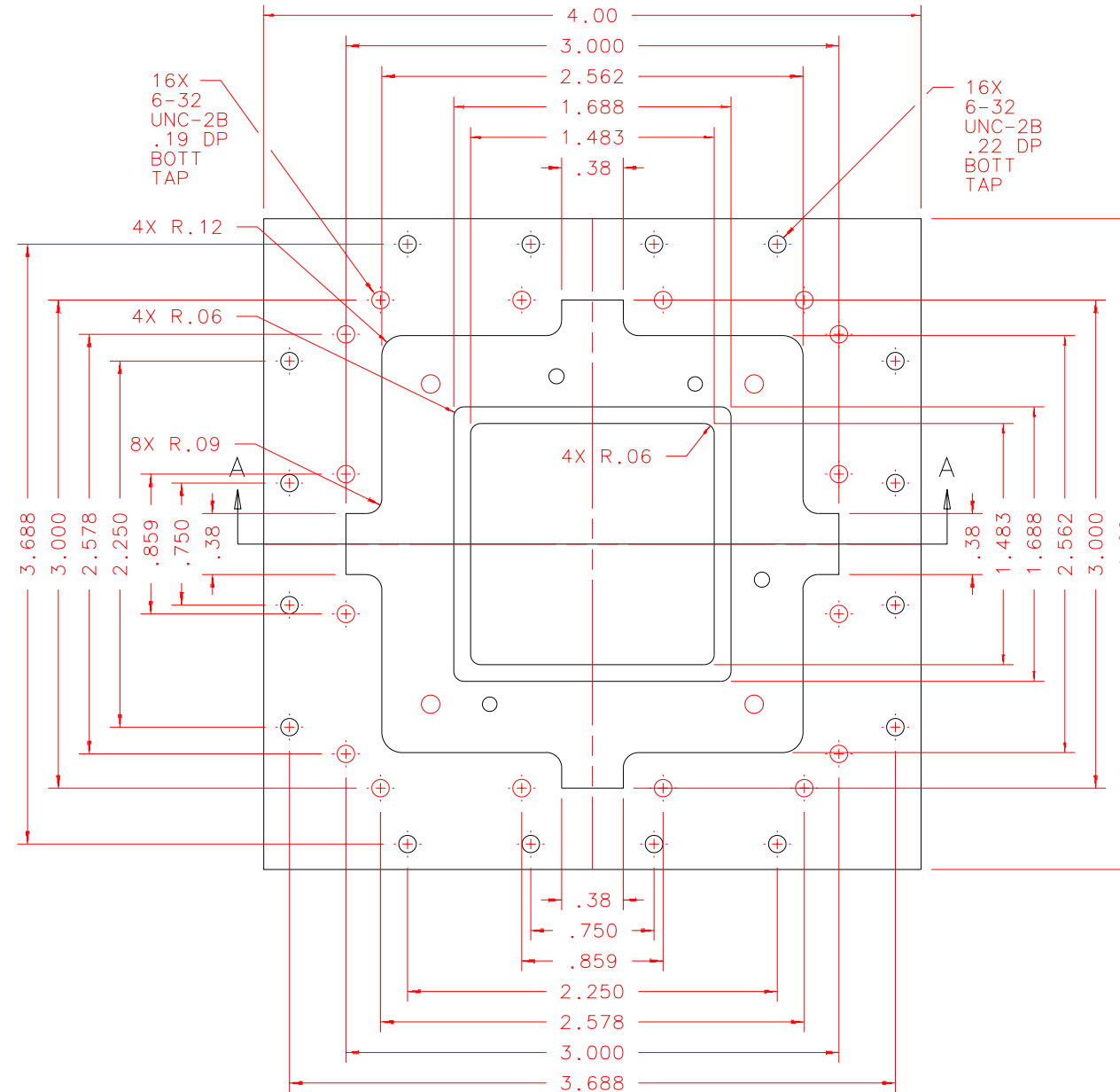


NOTES: UNLESS OTHERWISE NOTED
 1. MACHINED SURFACE ROUGHNESS 64
 O-RING GROOVES AND SURFACES 32
 2. REMOVE ALL BURRS/SHARP CORNERS

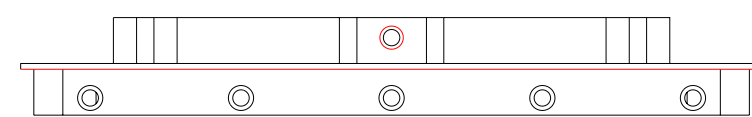
| BILL OF MATERIAL | | | | |
|------------------|-------|----------|---------------------|-------------|
| NO. | REQ'D | REF DRW | DESCRIPTION | MATERIAL |
| N/A | 1 | SMO-024B | SOCKET COVER CUSTOM | ALU 6061-T6 |



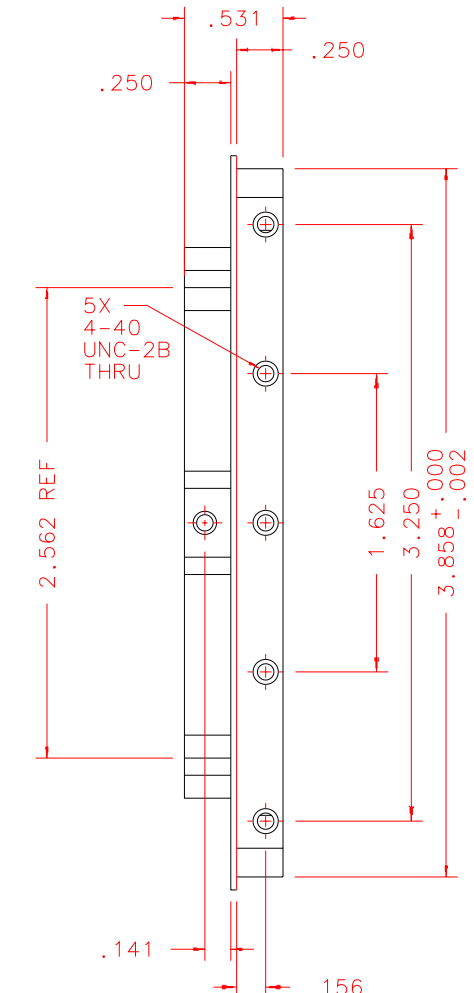
LEFT
USE RIGHT
VIEW



FRONT



BOTTOM, USE RIGHT VIEW



RIGHT:
APPLY THESE
DIMENSIONS
IN VIEWS
TOP, BOTTOM
AND LEFT

| | |
|---------------------|---|
| REVDATE: N/A | REVISION: N/A |
| DATE: 11/06/97 | INSTITUTE FOR ASTRONOMY |
| DESIGN: STAHLBERGER | 2680 WOODLAWN DR. HONOLULU, HI 96822 |
| DRAWN: STAHLBERGER | INSTRUMENT: SPEX - CROSS DISPERSED SPECTROGRAPH |
| APPR'D: J. RAYNER | PART NAME: SOCKET COVER CUSTOM |
| TOLERANCES | TELESCOPE: IRTF |
| X.X +/- .015 | DRW NO: SMO-024B |
| X.XX +/- .005 | SCALE: 1:2 |
| X.XXX +/- .002 | SIZE: B |
| ANGLE +/- 30 min | JOS NO: 725 |
| FRACTION +/- 1/32 | SHEET: 1 OF 3 |