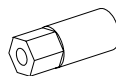


NOTES: UNLESS OTHERWISE NOTED

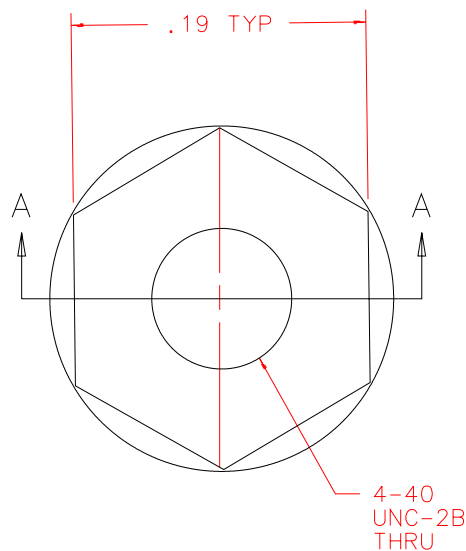
1. MACHINED SURFACE ROUGHNESS 64
O-RING GROOVES AND SURFACES 32
2. REMOVE ALL BURRS/SHARP CORNERS

BILL OF MATERIAL

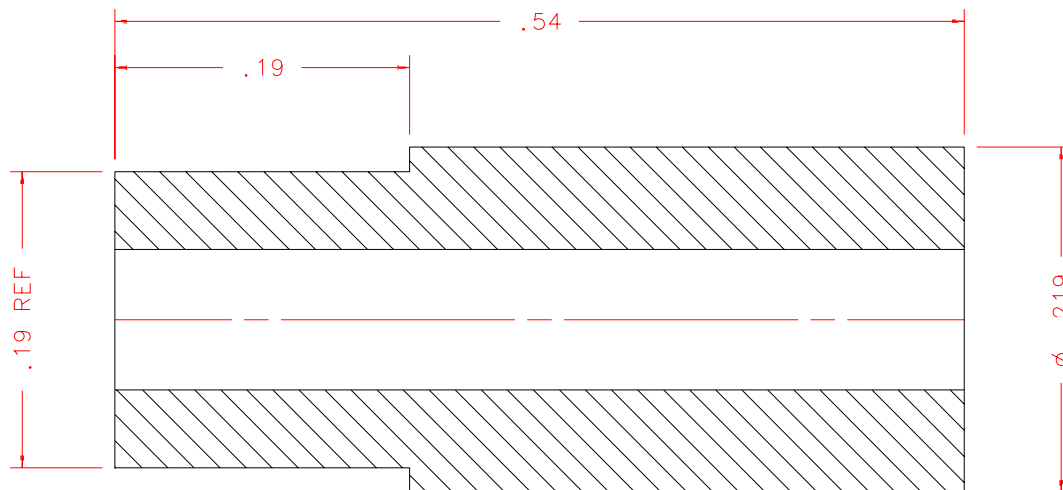
| NO. | REQ'D | REF DRW | DESCRIPTION | MATERIAL |
|-----|-------|----------|--------------|-------------|
| N/A | 4 | SM0-026A | STANDOFF NUT | ALU 6061-T6 |



ISOMETRIC
FULL SCALE



FRONT



SECTION A-A

| | |
|-------------------------|--|
| REVDATE: N/A | REVISION: N/A |
| DATE: 11/06/97 | INSTITUTE FOR ASTRONOMY 2680 WOODLAWN DR. HONOLULU, HI 96822 |
| DESIGN: STAHLBERGER | |
| DRAWN: STAHLBERGER | |
| APPR'D: J. RAYNER | INSTRUMENT: SPEX - CROSS DISPERSED SPECTROGRAPH |
| TOLERANCES | |
| X.X | +/- .015 |
| X.XX | +/- .005 |
| X.XXX | +/- .002 |
| ANGLE | +/- 30 min |
| FRACTION | +/- 1/32 |
| PART NAME: STANDOFF NUT | |
| TELESCOPE: IRTF | |
| DRW NO: SM0-026A | SCALE: 8:1 |
| SIZE: A | JOS NO: 725 |
| SHEET: 1 OF 1 | |

| |
|-----------|
| SM0-001B |
| NEXT ASSY |

PLOT: 10/19/99