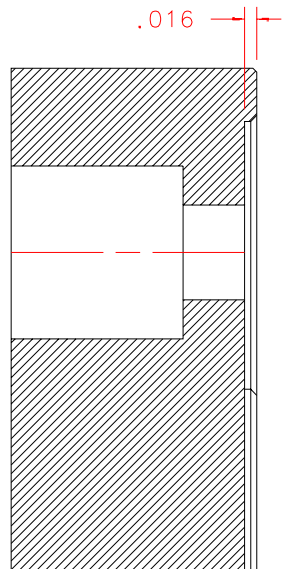


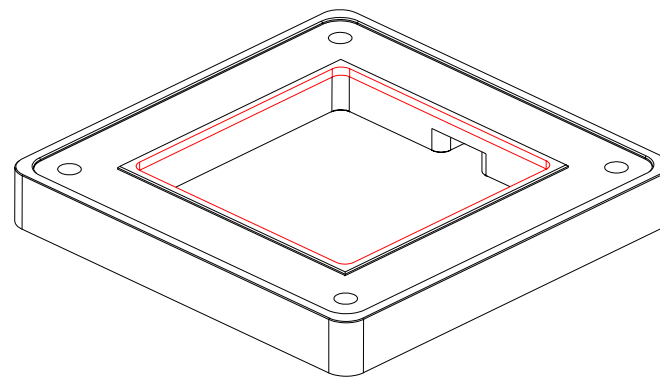
NOTES: UNLESS OTHERWISE NOTED

1. MACHINED SURFACE ROUGHNESS 64
O-RING GROOVES AND SURFACES 32
2. REMOVE ALL BURRS/SHARP CORNERS

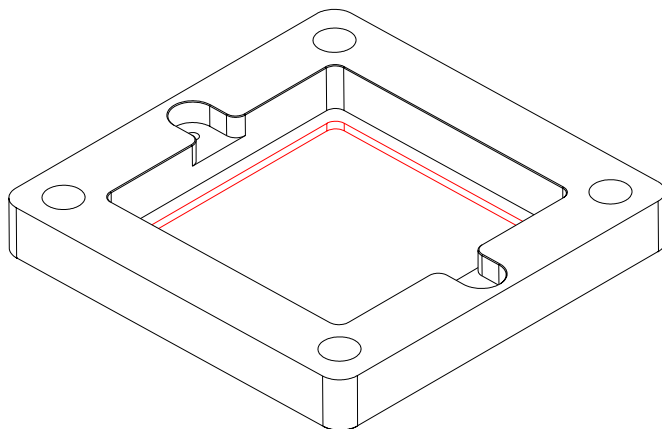
DETAIL B: SCALE 4:1



BILL OF MATERIAL				
NO.	REQ'D	REF DRW	DESCRIPTION	MATERIAL
N/A	2	SM0-036A	PRESSURE PLATE	ALU 6061-T6



ISOVIEW 5



ISOVIEW 4

REVDATE: N/A	REVISION: N/A	
DATE: 10/15/98	INSTITUTE FOR ASTRONOMY 2680 WOODLAWN DR. HONOLULU, HI 96822	
DESIGN: STAHLBERGER		
DRAWN: STAHLBERGER		
APPR'D: J. RAYNER		
TOLERANCES		
X.X	+/- .015	INSTRUMENT: SPEX - CROSS DISPERSED SPECTROGRAPH PART NAME: PRESSURE PLATE TELESCOPE: IRTF
X.XX	+/- .005	
X.XXX	+/- .002	
ANGLE	+/- 30 min	
FRACTION	+/- 1/32	
SM0-001B	DRW NO: SM0-036A	SCALE: 1:1
NEXT ASSY	SIZE: A	JOS NO: 725
		SHEET: 2 OF 2

PLOT: 10/19/99