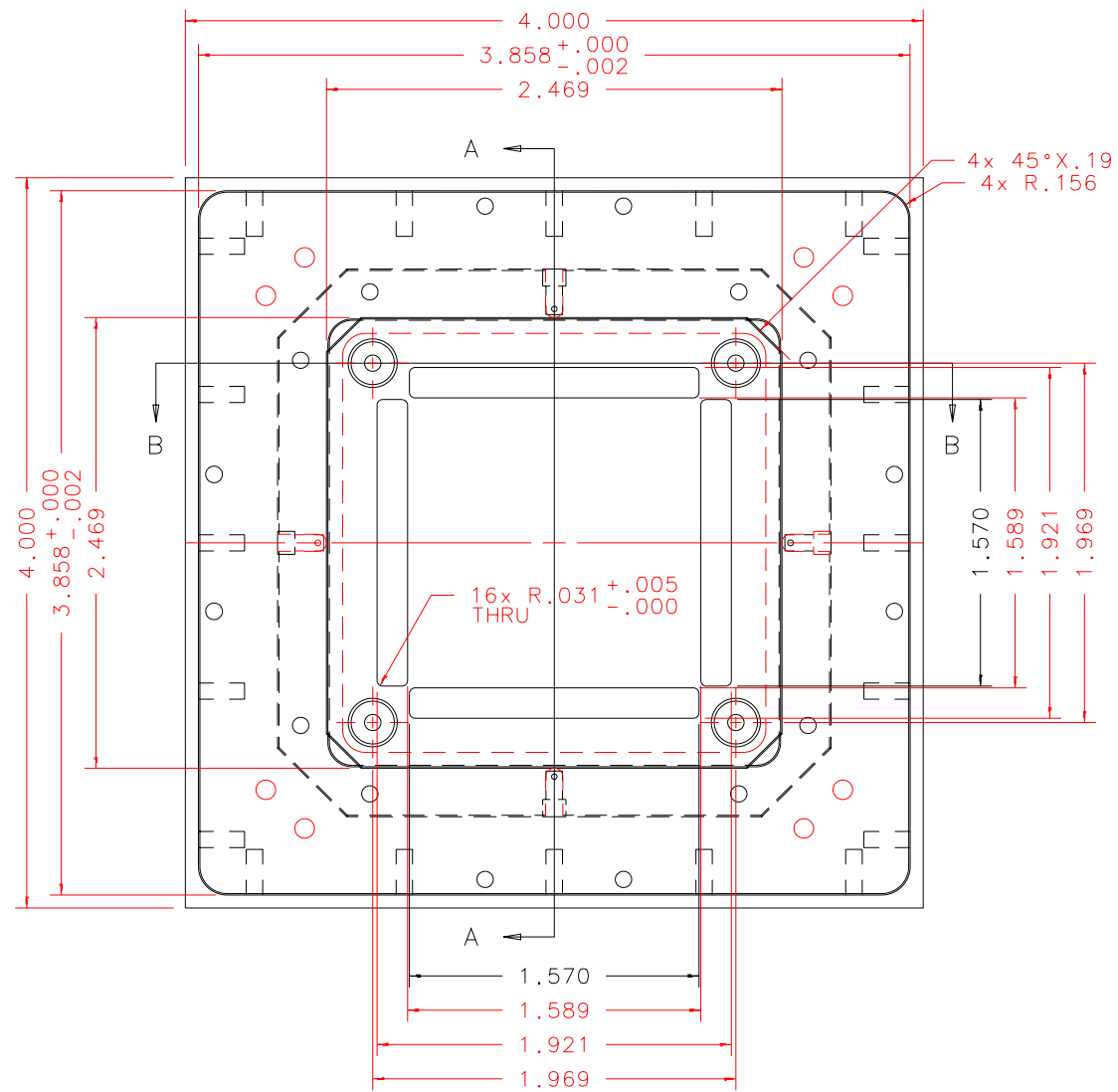
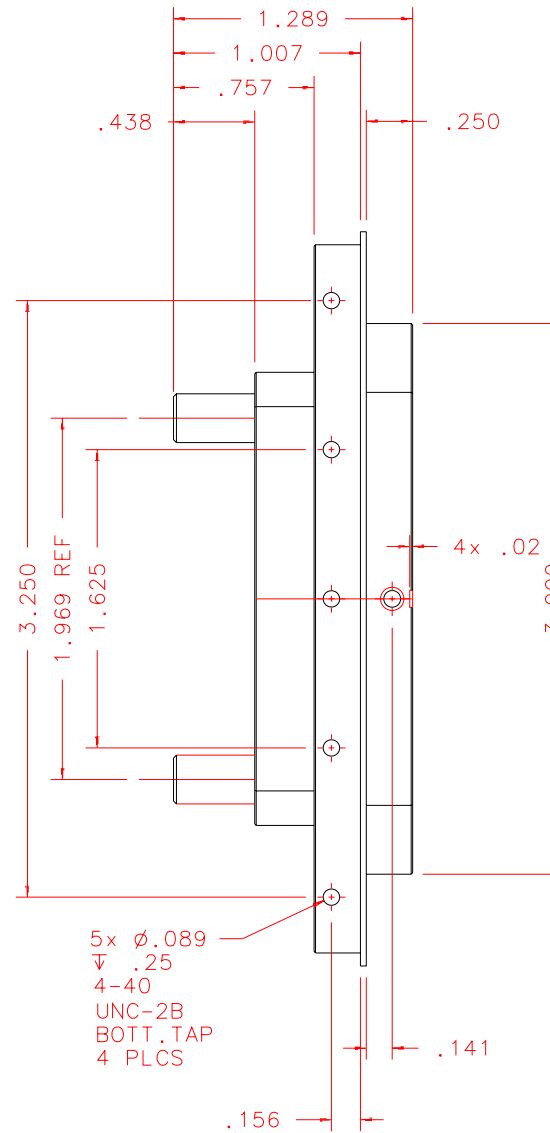


NOTES: UNLESS OTHERWISE NOTED
 1. MACHINED SURFACE ROUGHNESS 64
 O-RING GROOVES AND SURFACES 32
 2. REMOVE ALL BURRS/SHARP CORNERS

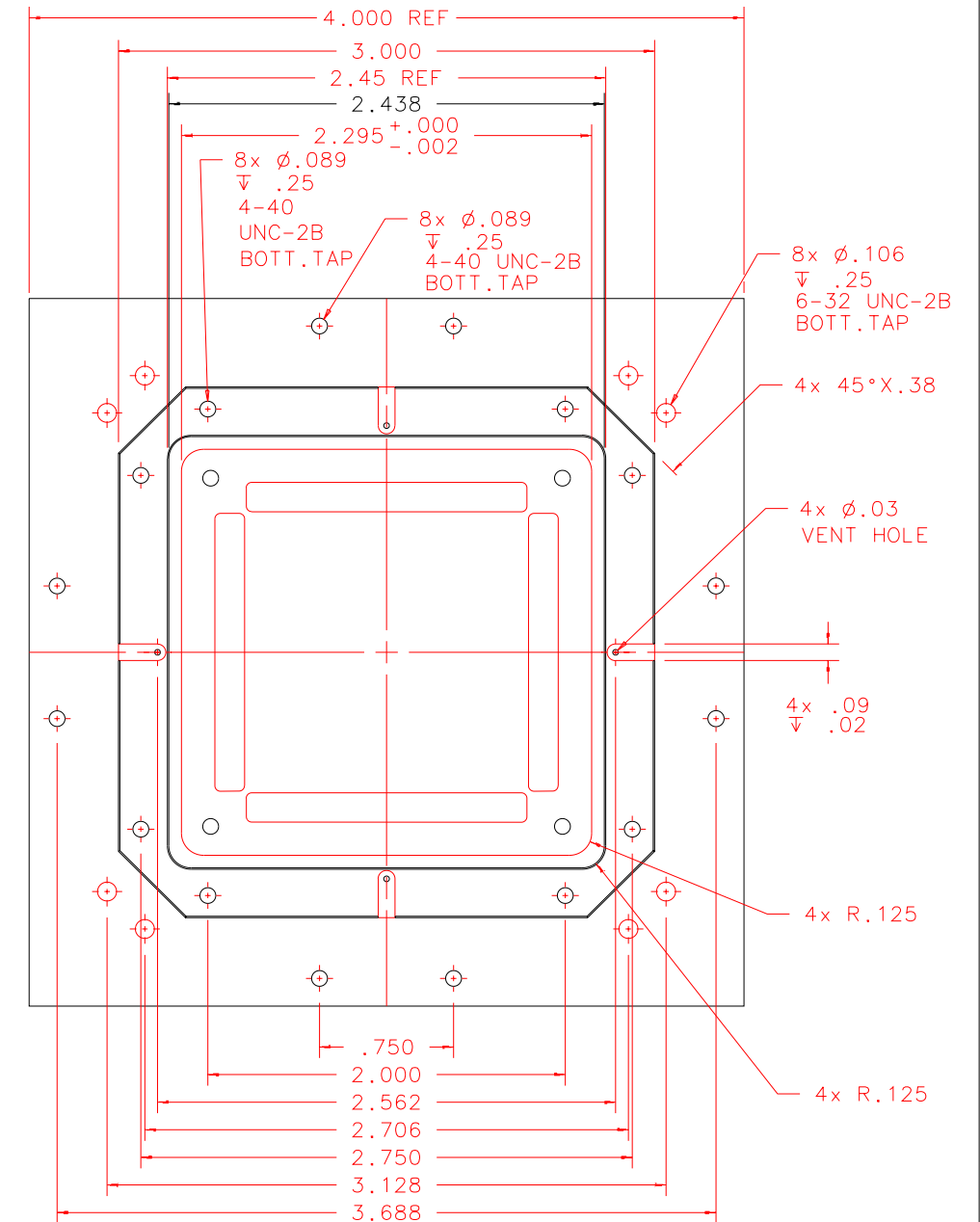
BILL OF MATERIAL				
NO.	REQ'D	REF DRW	DESCRIPTION	MATERIAL
N/A	8	SMO-037B	YAMAICHI SOCKET HOUSING	ALU 6061-T6



FRONT: SCALE 1:1, SYM X&Y



RIGHT: SCALE 1:1



BACK: SCALE 1:1, SYM X&Y

REVDATE: 12/03/98	REVISION: DIM 2.45 WAS 2.453, ADD 2.438
REVDATE: 11/10/98	REVISION: DIM 1.257 WAS 1.351 WAS 1.476
REVDATE: 10/28/98	REVISION: DIM 1.570 WAS 1.550 SHEET1 FRONT
REVDATE: N/A	REVISION: N/A
DATE: 10/14/98	INSTITUTE FOR ASTRONOMY
DESIGN: STAHLBERGER	2680 WOODLAWN DR. HONOLULU, HI 96822
DRAWN: STAHLBERGER	INSTRUMENT: SPEX - CROSS DISPERSED SPECTROGRAPH
APPR'D: J. RAYNER	PART NAME: YAMAICHI SOCKET HOUSING
TOLERANCES	
X.X	+/- .015
X.XX	+/- .005
X.XXX	+/- .002
ANGLE	+/- 30 min
FRACTION	+/- 1/32
DRW NO: SMO-037B	SCALE: NOTED
SIZE: B	JOS NO: 725
SHEET: 1 OF 3	