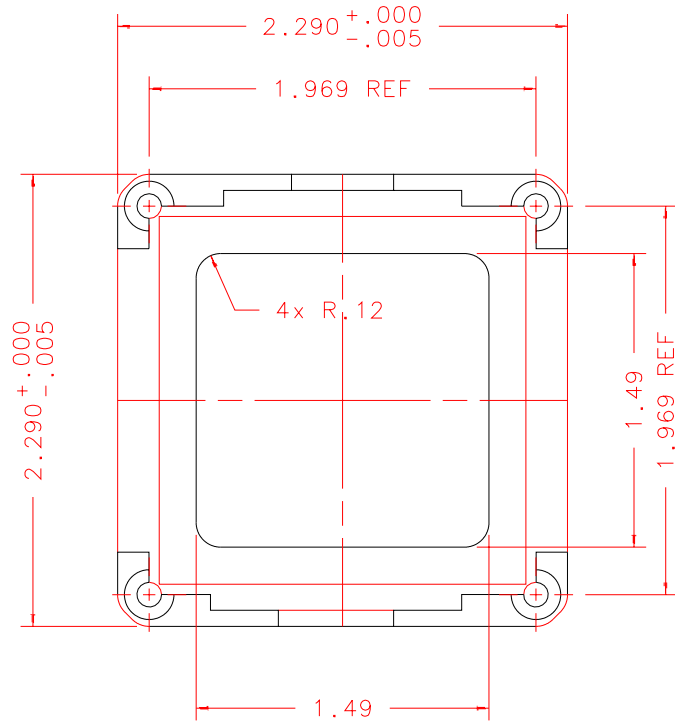


NOTES: UNLESS OTHERWISE NOTED

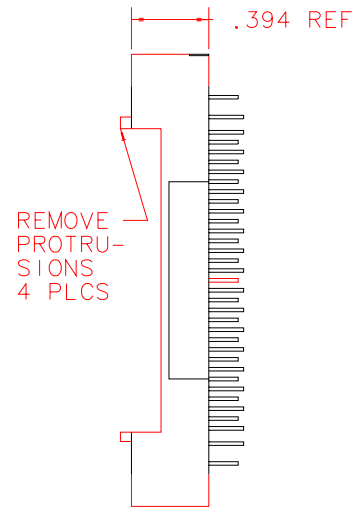
1. MACHINED SURFACE ROUGHNESS 64
O-RING GROOVES AND SURFACES 32
2. REMOVE ALL BURRS/SHARP CORNERS

MAKE FROM PURCHASED
P/N IC-51-1244-410
YAMAICHI SOCKET,
MODIFY AS PER
DRAWING

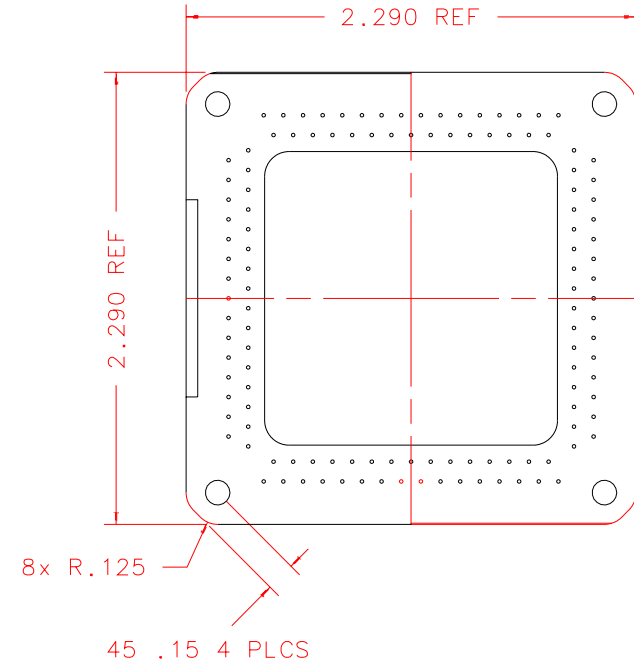
BILL OF MATERIAL				
NO.	REQ'D	REF DRW	DESCRIPTION	MATERIAL
N/A	1	SMO-038A	YAMAICHI SOCKET MOD	MOLDED PLASTIC



FRONT



RIGHT



BACK

NOTE:
DRAWING IS ONLY
AN APPROXIMATION
TO REAL PART

PLOT: 10/19/99

SMO-001B
NEXT ASSY

REVDATE: N/A	REVISION: N/A
DATE: 10/14/98	INSTITUTE FOR ASTRONOMY
DESIGN: STAHLBERGER	2680 WOODLAWN DR. HONOLULU, HI 96822
DRAWN: STAHLBERGER	INSTRUMENT: SPEX - CROSS DISPERSED SPECTROGRAPH
APPR'D: J. RAYNER	PART NAME: YAMAICHI SOCKET MOD
TOLERANCES	TELESCOPE: IRTF
X.X +/- .015	
X.XX +/- .005	
X.XXX +/- .002	
ANGLE +/- 30 min	
FRACTION +/- 1/32	
DRW NO: SMO-038A	SCALE: 1:1
SIZE: A	JOS NO: 725
	SHEET: 1 OF 1