

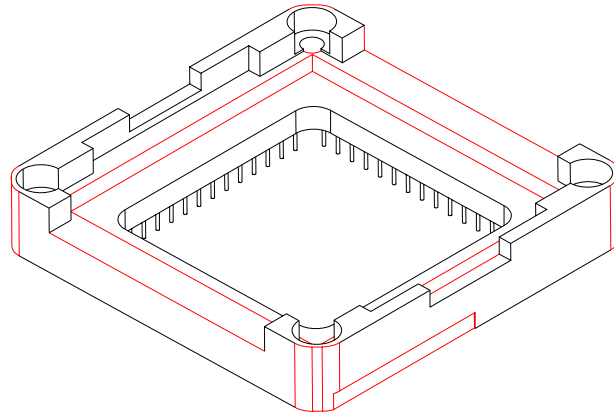
NOTES: UNLESS OTHERWISE NOTED

1. MACHINED SURFACE ROUGHNESS 64
O-RING GROOVES AND SURFACES 32
2. REMOVE ALL BURRS/SHARP CORNERS

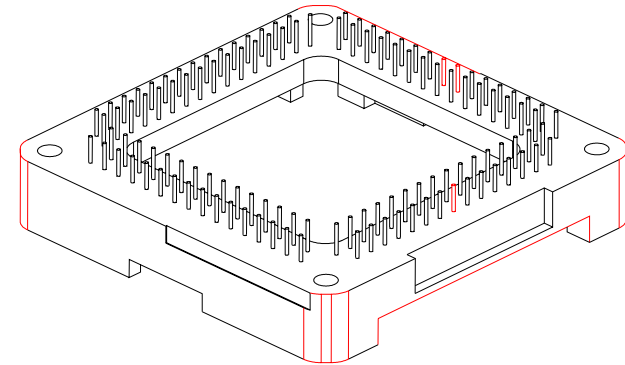
MAKE FROM PURCHASED
P/N IC-51-1244-410
YAMAICHI SOCKET,
MODIFY AS PER
DRAWING

BILL OF MATERIAL

NO.	REQ'D	REF DRW	DESCRIPTION	MATERIAL
N/A	1	SM0-038A	YAMAICHI SOCKET MOD	MOLDED PLASTIC



ISOVIEW 6
APPROX. APPEARANCE
AFTER MODIFICATIONS



ISOVIEW 7
APPROX. APPEARANCE
AFTER MODIFICATIONS

NOTE:
DRAWING IS ONLY
AN APPROXIMATION
TO REAL PART

REVDATE: N/A	REVISION: N/A
DATE: 10/14/98	INSTITUTE FOR ASTRONOMY 2680 WOODLAWN DR. HONOLULU, HI 96822
DESIGN: STAHLBERGER	
DRAWN: STAHLBERGER	
APPR'D: J. RAYNER	
TOLERANCES	
X.X	+/- .015
X.XX	+/- .005
X.XXX	+/- .002
ANGLE	+/- 30 min
FRACTION	+/- 1/32
INSTRUMENT: SPEX - CROSS DISPERSED SPECTROGRAPH	
PART NAME: YAMAICHI SOCKET MOD	
TELESCOPE: IRTF	
DRW NO: SM0-038A	SCALE: 1:1
SIZE: A	JOS NO: 725
SHEET: 2 OF 1	

SM0-001B
NEXT ASSY

PLOT: 10/19/99