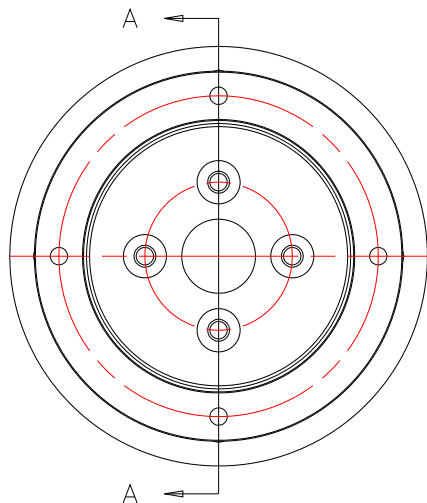


NOTES: UNLESS OTHERWISE NOTED

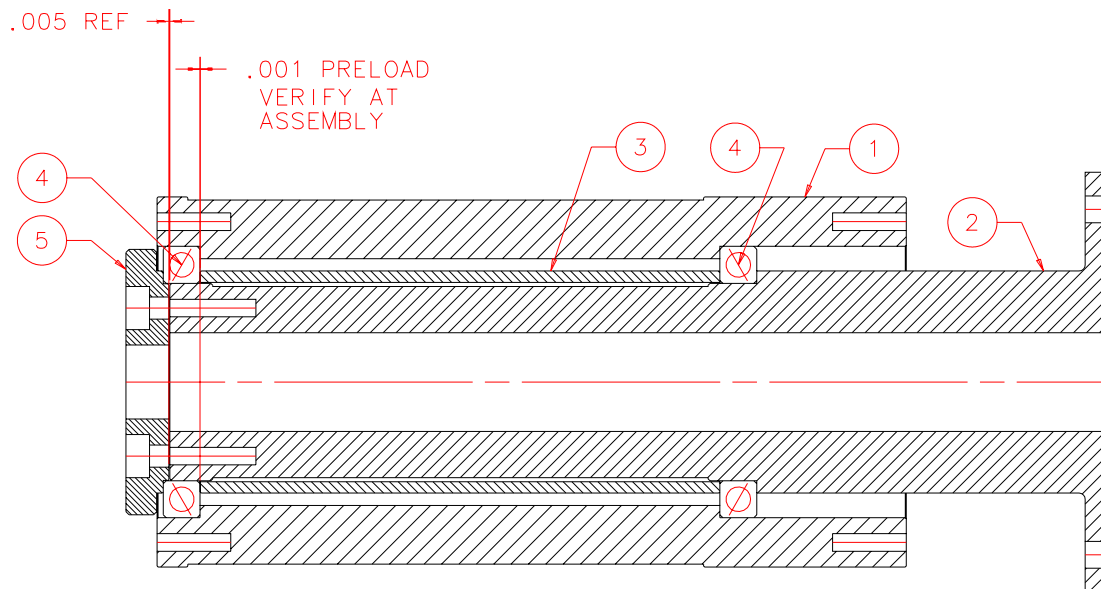
1. MACHINED SURFACE ROUGHNESS 64
O-RING GROOVES AND SURFACES 32
2. REMOVE ALL BURRS/SHARP CORNERS

BILL OF MATERIAL

NO.	REQ'D	REF DRW	DESCRIPTION	MATERIAL
N/A	1	SF1-001A	BEARING SUPPORT	N/A
1	1	SF1-011A	BEARING HOUSING	ALU 6061-T6
2	1	SF1-012A	BEARING SHAFT	ALU 6061-T6
3	1	SF1-013A	BEARING SPACER	ALU 6061-T6
4	2	N/A	KAYDON BEARING KAA10AGO	STAINLESS
5	1	SF1-014A	PRELOAD RING	ALU 6061-T6



FRONT: SCALE 1:1



SECTION A-A: SCALE 1:1

REVDATE: N/A	REVISION: N/A
DATE: 01/06/99	INSTITUTE FOR ASTRONOMY 2680 WOODLAWN DR. HONOLULU, HI 96822
DESIGN: STAHLBERGER	
DRAWN: STAHLBERGER	INSTRUMENT: SPEX - CROSS DISPERSED SPECTROGRAPH
APPR'D: J. RAYNER	PART NAME: BEARING SUPPORT
TOLERANCES	
X.X	+/- .015
X.XX	+/- .005
X.XXX	+/- .002
ANGLE	+/- 30 min
FRACTION	+/- 1/32
DRW NO: SF1-001A	SCALE: NOTED
SIZE: A	JOS NO: 725
SHEET: 2 OF 2	

PLOT: 10/19/99

SFO-001B
NEXT ASSY