

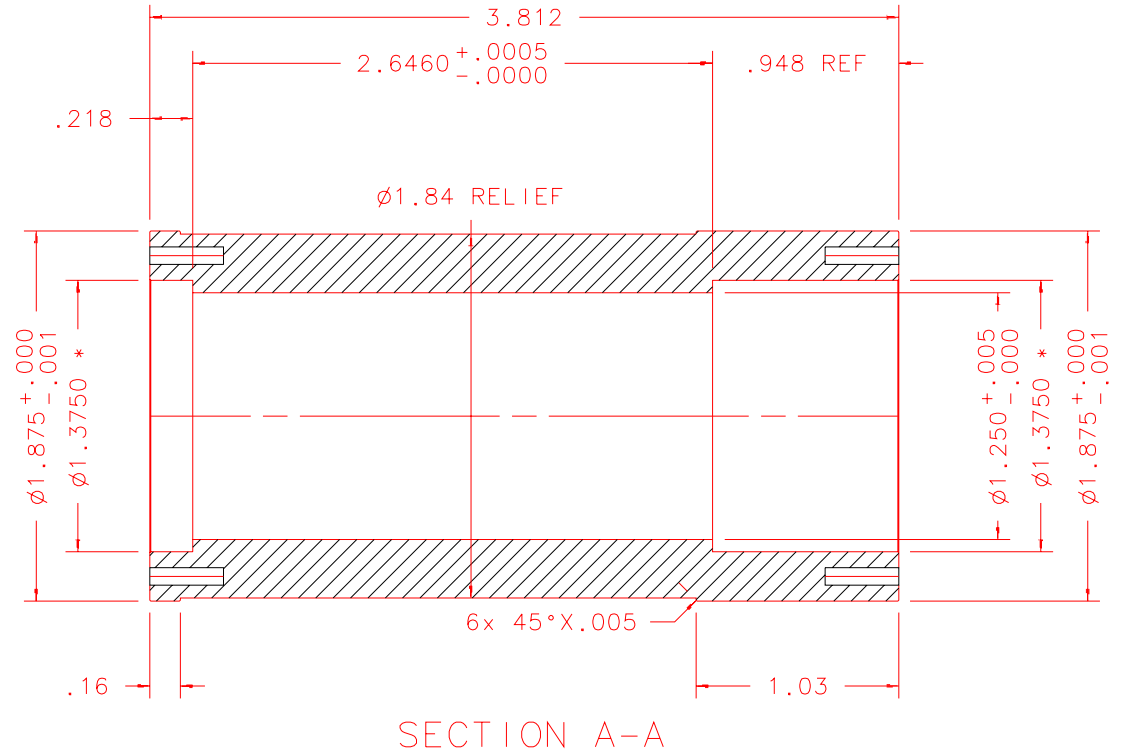
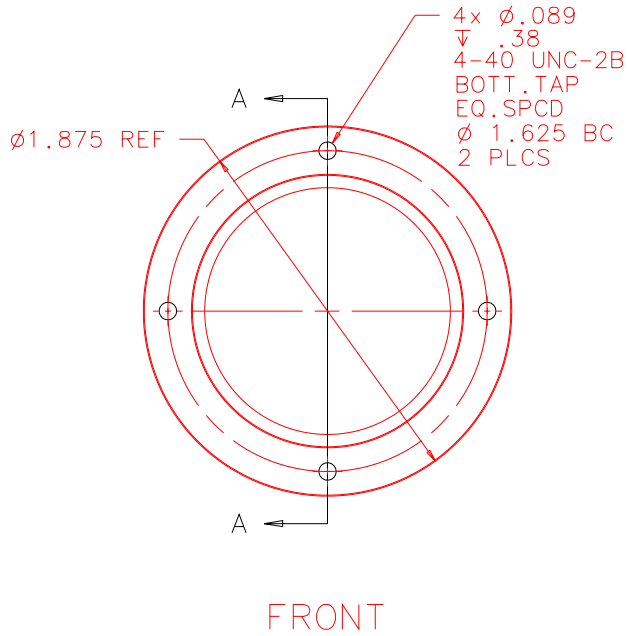
NOTES: UNLESS OTHERWISE NOTED

1. MACHINED SURFACE ROUGHNESS 64  
O-RING GROOVES AND SURFACES 32
2. REMOVE ALL BURRS/SHARP CORNERS

NOTES:

- 1) ALL DIAMETERS CON-  
ENTRIC TO .0005 TIR
- 2) DIMENSION W/ASTERISK:  
MEASURE KAYDON BRG.OD,  
TURN DIAMETERS TO +.0010  
+/- .0002

| BILL OF MATERIAL |       |          |                 |             |
|------------------|-------|----------|-----------------|-------------|
| NO.              | REQ'D | REF DRW  | DESCRIPTION     | MATERIAL    |
| N/A              | 1     | SF1-011A | BEARING HOUSING | ALU 6061-T6 |



|                     |   |
|---------------------|---|
| REVDATE: N/A        | REVISION: N/A                                   |
| DATE: 01/06/99      | <b>INSTITUTE FOR ASTRONOMY</b>                  |
| DESIGN: STAHLBERGER | 2680 WOODLAWN DR. HONOLULU, HI 96822            |
| DRAWN: STAHLBERGER  | INSTRUMENT: SPEX - CROSS DISPERSED SPECTROGRAPH |
| APPR'D: J. RAYNER   | PART NAME: BEARING HOUSING                      |
| <b>TOLERANCES</b>   |   |
| X.X                 | +/- .015  |
| X.XX                | +/- .005  |
| X.XXX               | +/- .002  |
| ANGLE               | +/- 30 min                                      |
| FRACTION            | +/- 1/32  |
| DRW NO: SF1-011A    | SCALE: 1:1                                      |
| SIZE: A             | JOS NO: 725                                     |
| SHEET: 1 OF 1       |   |

PLOT:10/19/99

|           |
|-----------|
| SF1-001A  |
| NEXT ASSY |