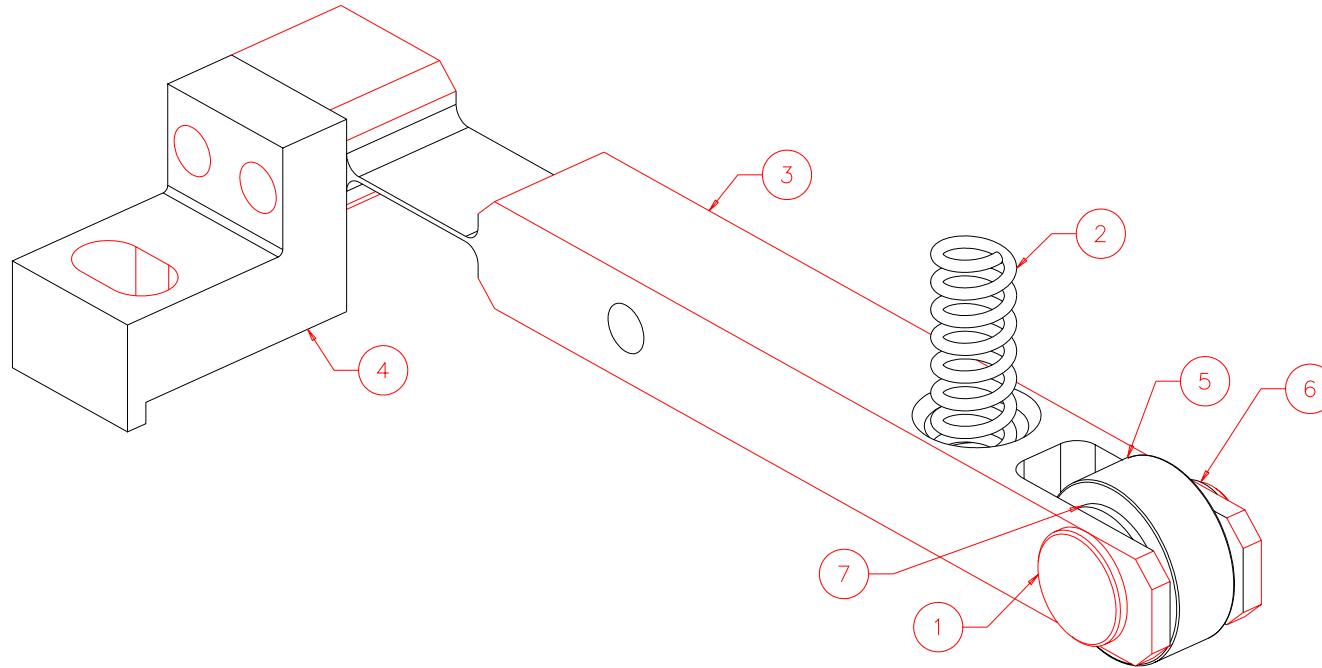


NOTES: UNLESS OTHERWISE NOTED

1. MACHINED SURFACE ROUGHNESS 64  
O-RING GROOVES AND SURFACES 32
2. REMOVE ALL BURRS/SHARP CORNERS

BILL OF MATERIAL

NO.	REQ'D	REF DRW	DESCRIPTION	MATERIAL
N/A	1	SF2-001A	DETENT	N/A
1	1	SP3-011A	BEARING PIN	STAINLESS 303
2	1	N/A	COMPRESSION SPRING TO SUIT	STAINLESS
3	1	SP3-012A	DETENT ARM	TITANIUM 6AL-4V
4	1	SF2-011A	DETENT ARM SUPPORT	ALU 6061-T6
5	1	SP3-017A	DETENT ROLLER	STAINLESS
6	1	N/A	RETAINER RING Q2-25(BERG)	STAINLESS
7	2	SJ1-012A	SPACER	STAINLESS 303



ISOVIEW 1:SCALE 2:1

REVDATE: N/A	REVISION: N/A
DATE: 01/05/99	<b>INSTITUTE FOR ASTRONOMY</b>
DESIGN: STAHLBERGER	2680 WOODLAWN DR. HONOLULU, HI 96822
DRAWN: STAHLBERGER	INSTRUMENT: SPEX - CROSS DISPERSED SPECTROGRAPH
APPR'D: J. RAYNER	PART NAME: DETENT
<b>TOLERANCES</b>	TELESCOPE: IRTF
X.X +/- .015	DRW NO: SF2-001A
X.XX +/- .005	SCALE: 2:1
X.XXX +/- .002	SIZE: A
ANGLE +/- 30 min	JOS NO: 725
FRACTION +/- 1/32	SHEET: 1 OF 1

PLOT:10/19/99

SFO-001B
NEXT ASSY