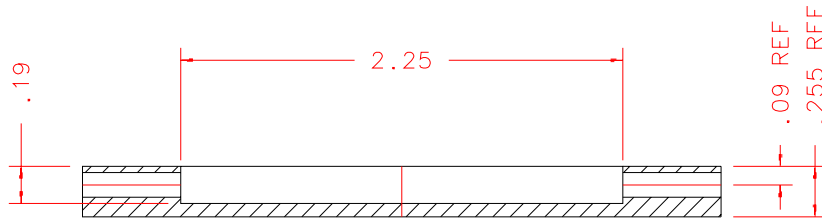


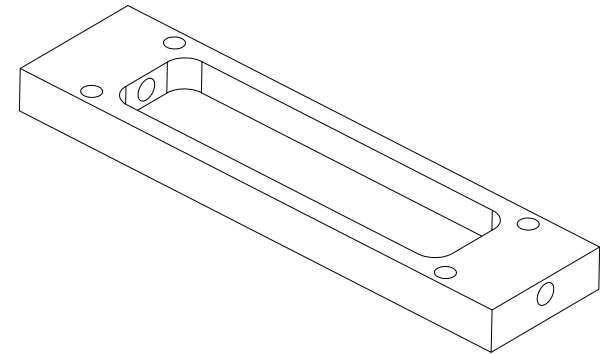
NOTES: UNLESS OTHERWISE NOTED

1. MACHINED SURFACE ROUGHNESS 64  
O-RING GROOVES AND SURFACES 32
2. REMOVE ALL BURRS/SHARP CORNERS

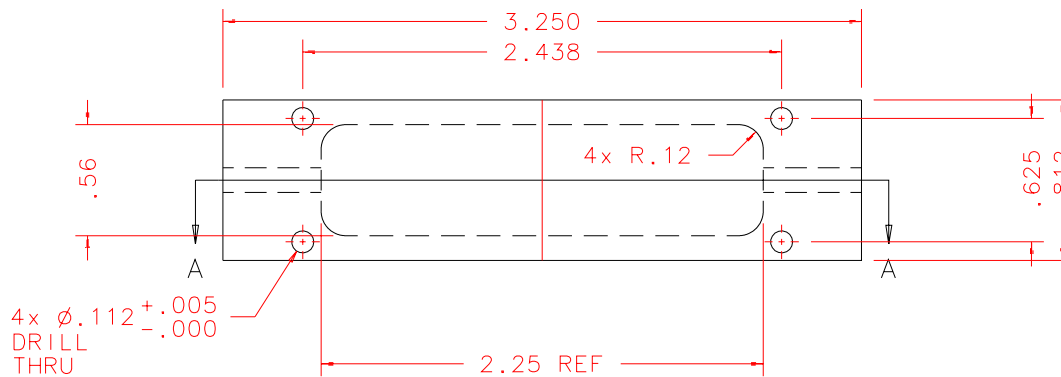
BILL OF MATERIAL				
NO.	REQ'D	REF DRW	DESCRIPTION	MATERIAL
N/A	1	SF3-011A	WORM BRACKET SPACER	ALU 6061-T6



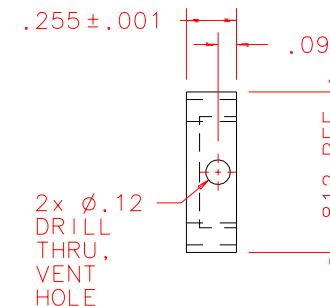
SECTION A-A



ISOVIEW 4:  
SCALE FULL



FRONT



RIGHT

REVDATE: N/A	REVISION: N/A
DATE: 01/20/99	<b>INSTITUTE FOR ASTRONOMY</b>
DESIGN: STAHLBERGER	2680 WOODLAWN DR. HONOLULU, HI 96822
DRAWN: STAHLBERGER	INSTRUMENT: SPEX - CROSS DISPERSED SPECTROGRAPH
APPR'D: J. RAYNER	PART NAME: WORM BRACKET SPACER
<b>TOLERANCES</b>	
X.X	+/- .015
X.XX	+/- .005
X.XXX	+/- .002
ANGLE	+/- 30 min
FRACTION	+/- 1/32
TELESCOPE: IRTF	
DRW NO: SF3-011A	
SCALE: 1:1	
SIZE: A	JOS NO: 725
SHEET: 1 OF 1	

SF3-001B
NEXT ASSY

PLOT: 10/19/99