

NOTES: UNLESS OTHERWISE NOTED

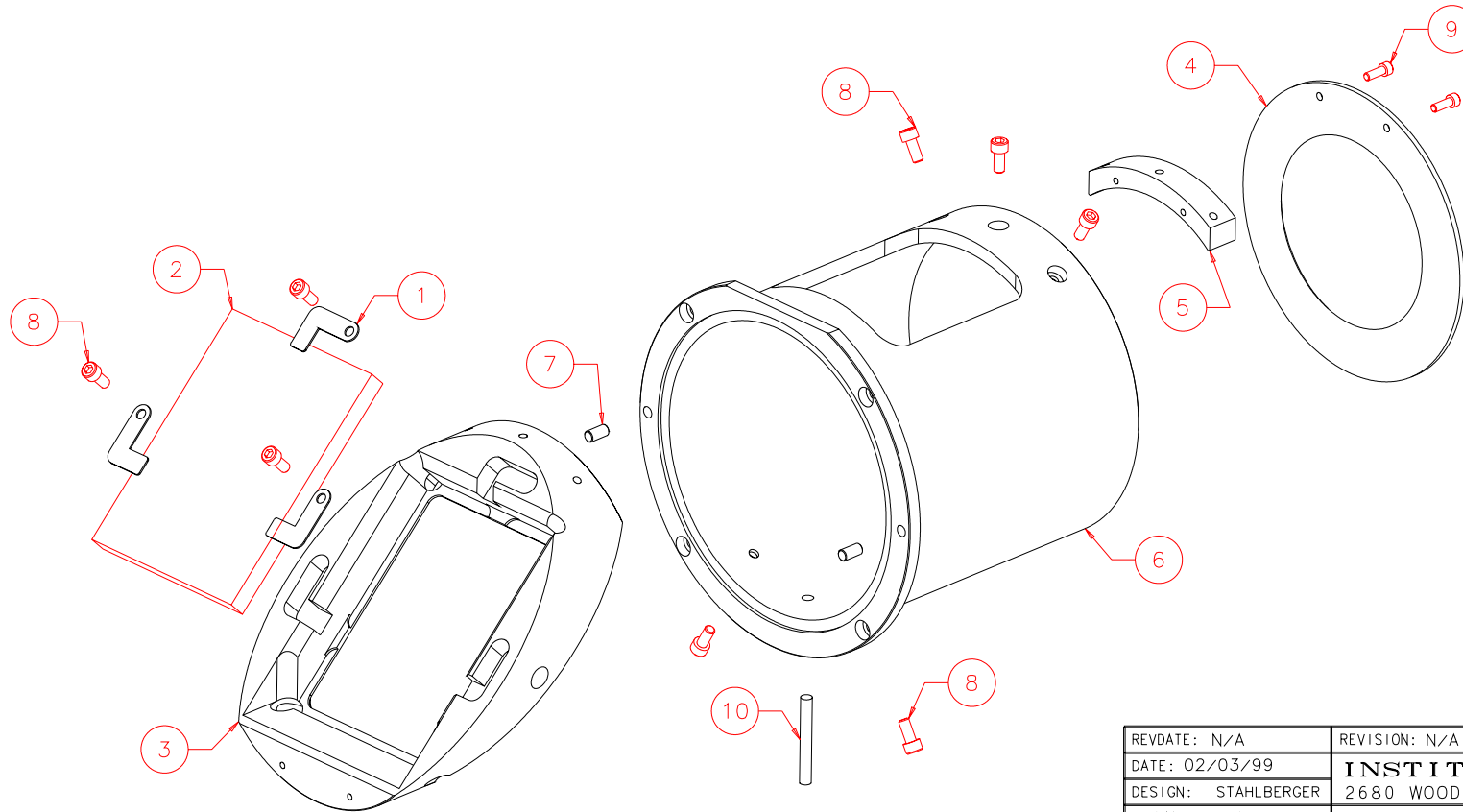
1. MACHINED SURFACE ROUGHNESS 64
O-RING GROOVES AND SURFACES 32
2. REMOVE ALL BURRS/SHARP CORNERS

NOTES:

- A) USE VENTED SCREWS FOR NONPENETRATING TAPPED HOLES
- B) ITEM 10 USED ONLY FOR INSTALLATION
- C) BILL OF MATERIAL REFLECTS 2 ASSY'S WITH DICHRIC AND 2 ASSY'S WITHOUT DICHRIC
- D) ITEM 5 USED FOR ASSY'S WITHOUT DICHRIC

BILL OF MATERIAL

NO.	REQ'D	REF DRW	DESCRIPTION	MATERIAL
N/A	1	SF6-001A	DICHRIC MOUNT	N/A
1	6	SF6-011A	DICHRIC CLIP	PHOS.BRONZE
2	2	SF6-012A	DICHRIC ELEMENT	CALC.FLUORIDE
3	2	SF6-013A	DICHRIC MOUNT	ALU 6061-T6
4	4	SF6-015A	DICHRIC MOUNT BACK BAFFLE	ALU 6061-T6
5	2	SF6-016A	DICHRIC MOUNT BAFFLE SUPPORT	ALU 6061-T6
6	4	SF6-014A	DICHRIC MOUNTING TUBE	ALU 6061-T6
7	8	N/A	DOWEL PIN 1/8 x 1/4 D14-6(BERG)	STAINLESS
8	24	N/A	HEX SOCKET HEAD 4-40 x 1/4	STAINLESS
9	8	N/A	HEX SOCKET HEAD 2-56 x 1/4	STAINLESS
10	1	N/A	DOWEL PIN 1/8 x 1	STAINLESS



ISOMETRIC VIEW 3
SCALE 1:2

REVDATE: N/A	REVISION: N/A
DATE: 02/03/99	INSTITUTE FOR ASTRONOMY
DESIGN: STAHLBERGER	2680 WOODLAWN DR. HONOLULU, HI 96822
DRAWN: STAHLBERGER	INSTRUMENT: SPEX - CROSS DISPERSED SPECTROGRAPH
APPR'D: J. RAYNER	PART NAME: DICHRIC MOUNT
TOLERANCES	
X.X	+/- .015
X.XX	+/- .005
X.XXX	+/- .002
ANGLE	+/- 30 min
FRACTION	+/- 1/32
DRW NO: SF6-001A	SCALE: NOTED
SIZE: A	JOS NO: 725
SHEET: 1 OF 2	

PLOT: 10/19/99

SF0-001B
NEXT ASSY