

NOTES: UNLESS OTHERWISE NOTED

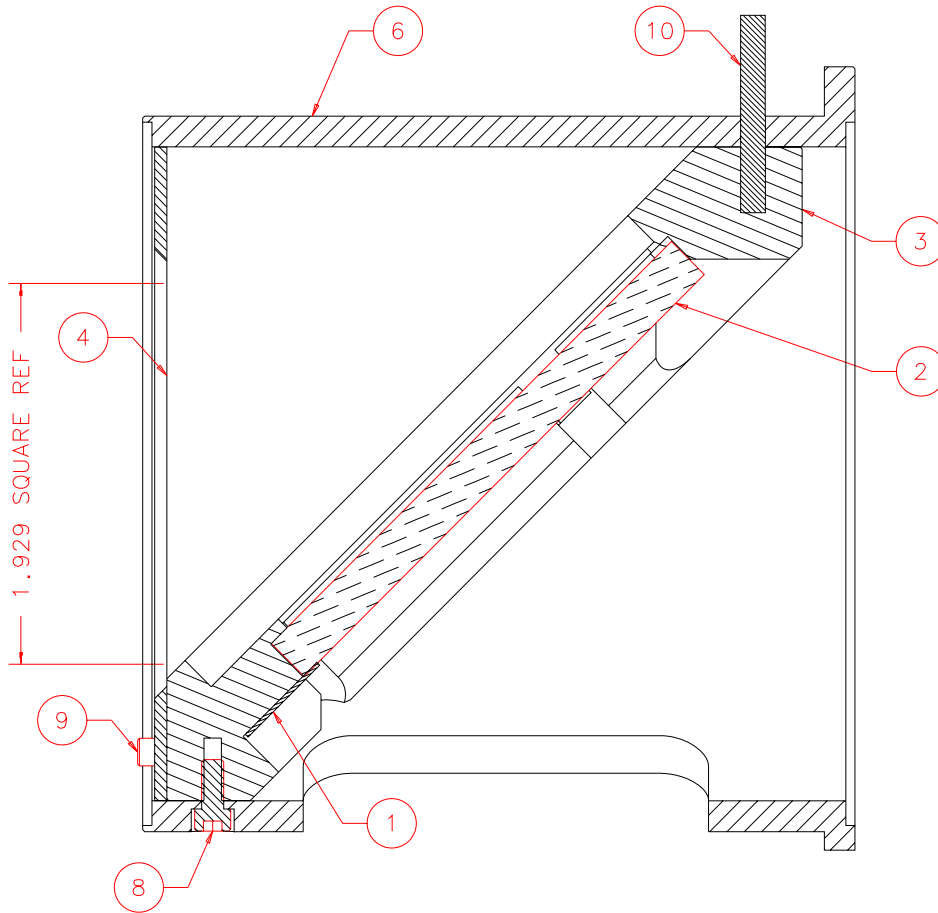
1. MACHINED SURFACE ROUGHNESS 64
O-RING GROOVES AND SURFACES 32
2. REMOVE ALL BURRS/SHARP CORNERS

NOTES:

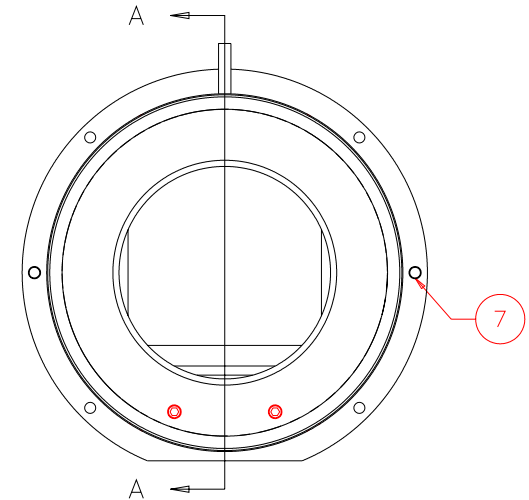
- A) USE VENTED SCREWS FOR NONPENETRATING TAPPED HOLES
- B) ITEM 10 USED ONLY FOR INSTALLATION
- C) BILL OF MATERIAL REFLECTS 2 ASSY'S WITH DICHOIC AND 2 ASSY'S WITHOUT DICHOIC
- D) ITEM 5 USED FOR ASSY'S WITHOUT DICHOIC

BILL OF MATERIAL

NO.	REQ'D	REF DRW	DESCRIPTION	MATERIAL
N/A	1	SF6-001A	DICHOIC MOUNT	N/A
1	6	SF6-011A	DICHOIC CLIP	PHOS.BRONZE
2	2	SF6-012A	DICHOIC ELEMENT	CALC.FLUORIDE
3	2	SF6-013A	DICHOIC MOUNT	ALU 6061-T6
4	4	SF6-015A	DICHOIC MOUNT BACK BAFFLE	ALU 6061-T6
5	2	SF6-016A	DICHOIC MOUNT BAFFLE SUPPORT	ALU 6061-T6
6	4	SF6-014A	DICHOIC MOUNTING TUBE	ALU 6061-T6
7	8	N/A	DOWEL PIN 1/8 x 1/4 D14-6(BERG)	STAINLESS
8	24	N/A	HEX SOCKET HEAD 4-40 x 1/4	STAINLESS
9	8	N/A	HEX SOCKET HEAD 2-56 x 1/4	STAINLESS
10	1	N/A	DOWEL PIN 1/8 x 1	STAINLESS



SECTION A-A:
SCALE 1:1



FRONT:
SCALE 1:2

PLOT:10/19/99

SF0-001B	REVDATE: N/A	REVISION: N/A
NEXT ASSY	DATE: 02/03/99	INSTITUTE FOR ASTRONOMY
	DESIGN: STAHLBERGER	2680 WOODLAWN DR. HONOLULU, HI 96822
	DRAWN: STAHLBERGER	INSTRUMENT: SPEX - CROSS DISPERSED SPECTROGRAPH
	APPR'D: J. RAYNER	PART NAME: DICHOIC MOUNT
	TOLERANCES	TELESCOPE: IRTF
	X.X +/- .015	DRW NO: SF6-001A
	X.XX +/- .005	SCALE: NOTED
	X.XXX +/- .002	SIZE: A
	ANGLE +/- 30 min	JOS NO: 725
	FRACTION +/- 1/32	SHEET: 2 OF 2