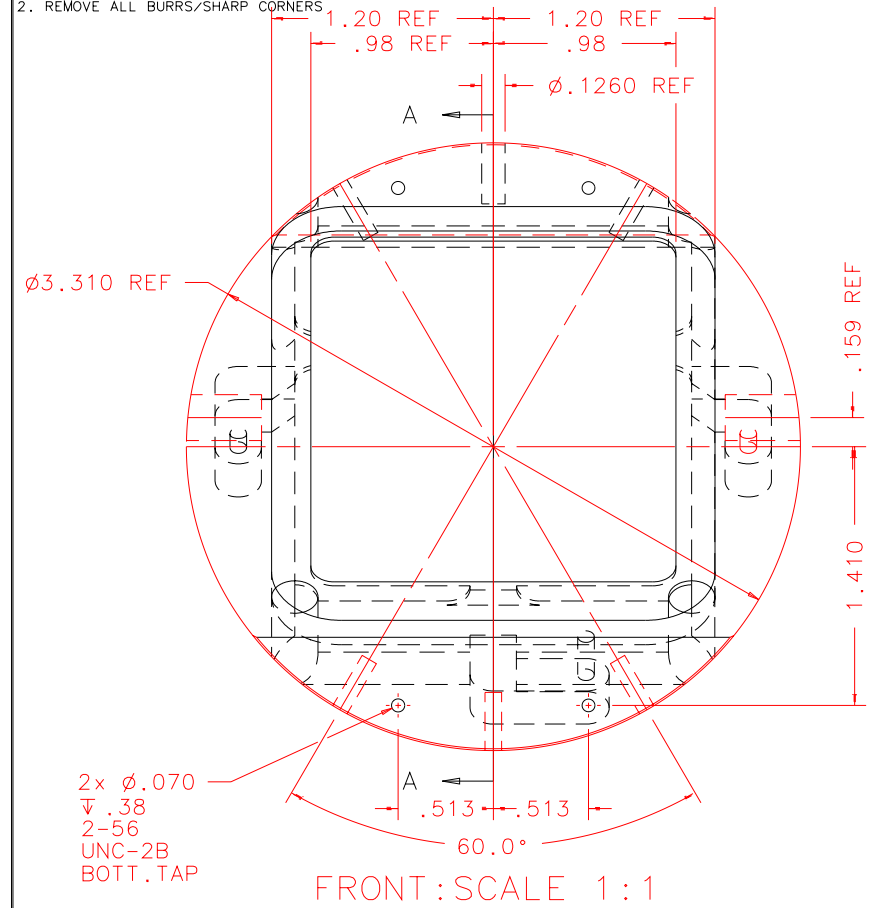
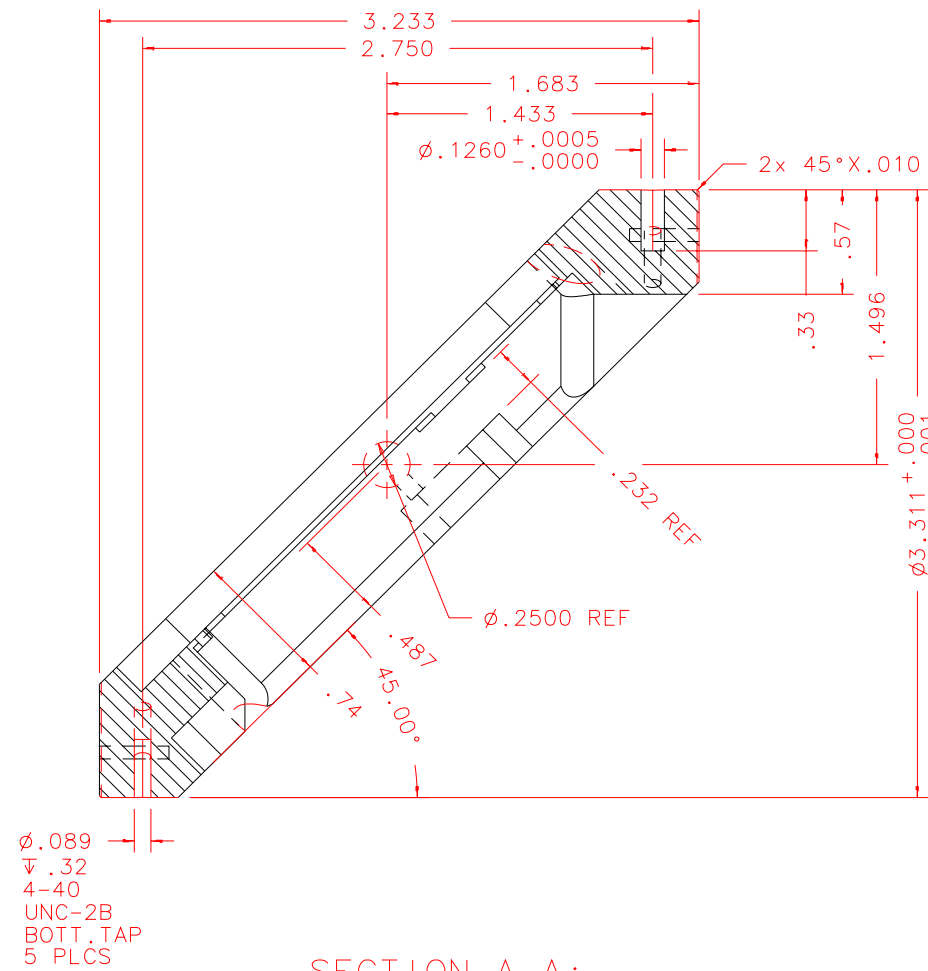


NOTES: UNLESS OTHERWISE NOTED  
 1. MACHINED SURFACE ROUGHNESS 64  
 O-RING GROOVES AND SURFACES 32  
 2. REMOVE ALL BURRS/SHARP CORNERS

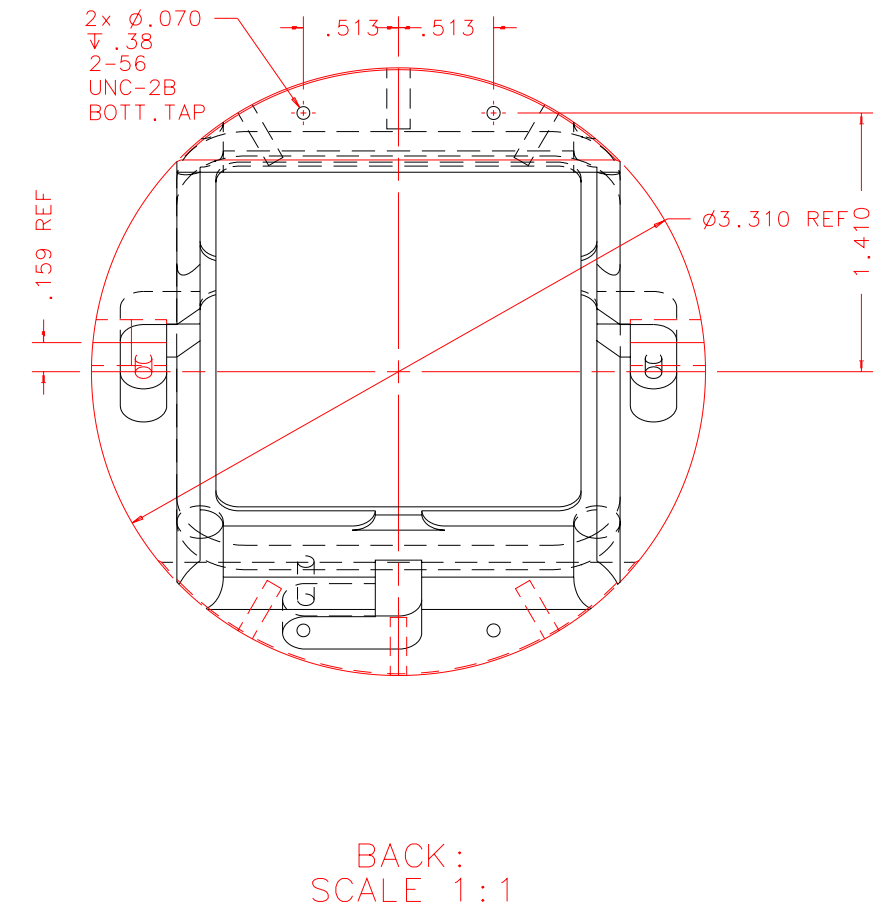


FRONT: SCALE 1:1

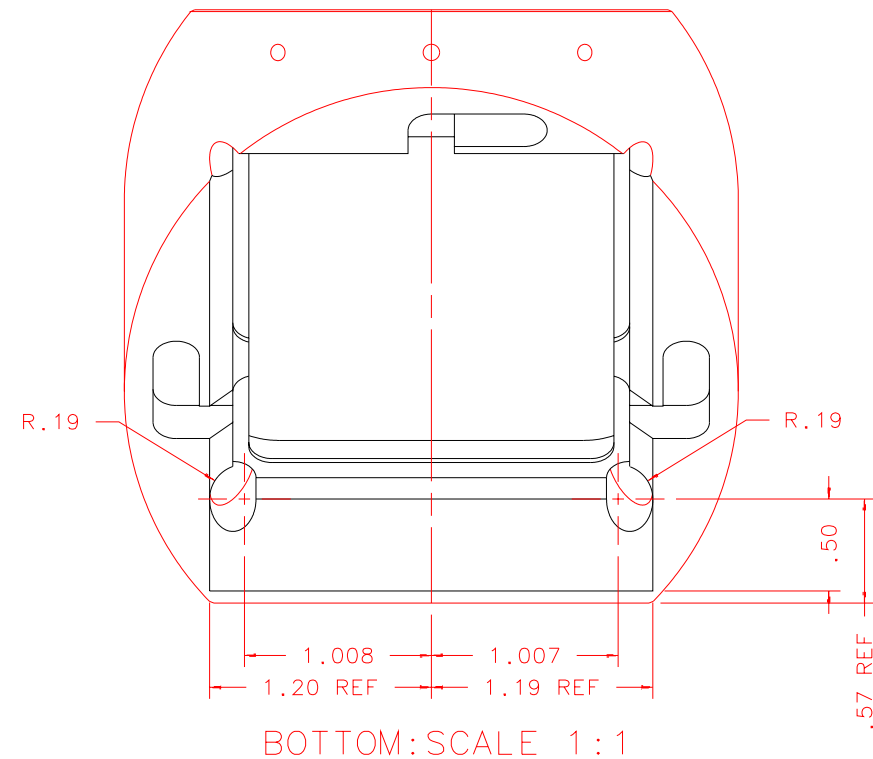


SECTION A-A:  
SCALE 1:1

| BILL OF MATERIAL |       |          |                |             |
|------------------|-------|----------|----------------|-------------|
| NO.              | REQ'D | REF DRW  | DESCRIPTION    | MATERIAL    |
| N/A              | 2     | SF6-013B | DICHROIC MOUNT | ALU 6061-T6 |



BACK:  
SCALE 1:1



BOTTOM: SCALE 1:1

PLOT: 10/19/99

|           |  |
|-----------|--|
| SF6-001A  |  |
| NEXT ASSY |  |

|                     |   |
|---------------------|---|
| REVDATE: N/A        | REVISION: N/A                                   |
| DATE: 02/10/99      | <b>INSTITUTE FOR ASTRONOMY</b>                  |
| DESIGN: STAHLBERGER | 2680 WOODLAWN DR. HONOLULU, HI 96822            |
| DRAWN: STAHLBERGER  | INSTRUMENT: SPEX - CROSS DISPERSED SPECTROGRAPH |
| APPR'D: J. RAYNER   | PART NAME: DICHROIC MOUNT                       |
| <b>TOLERANCES</b>   | TELESCOPE: IRTF                                 |
| X.X +/- .015        |   |
| X.XX +/- .005       |   |
| X.XXX +/- .002      |   |
| ANGLE +/- 30 min    |   |
| FRACTION +/- 1/32   |   |
| DRW NO: SF6-013B    | SCALE: NOTED                                    |
| SIZE: B             | JOS NO: 725                                     |
|                     | SHEET: 1 OF 3                                   |