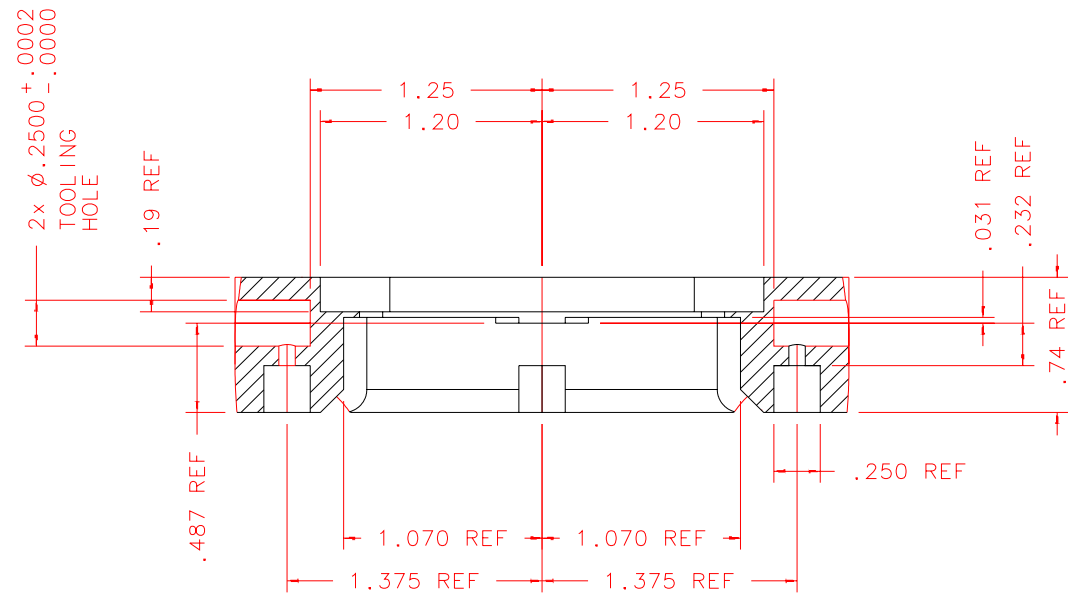
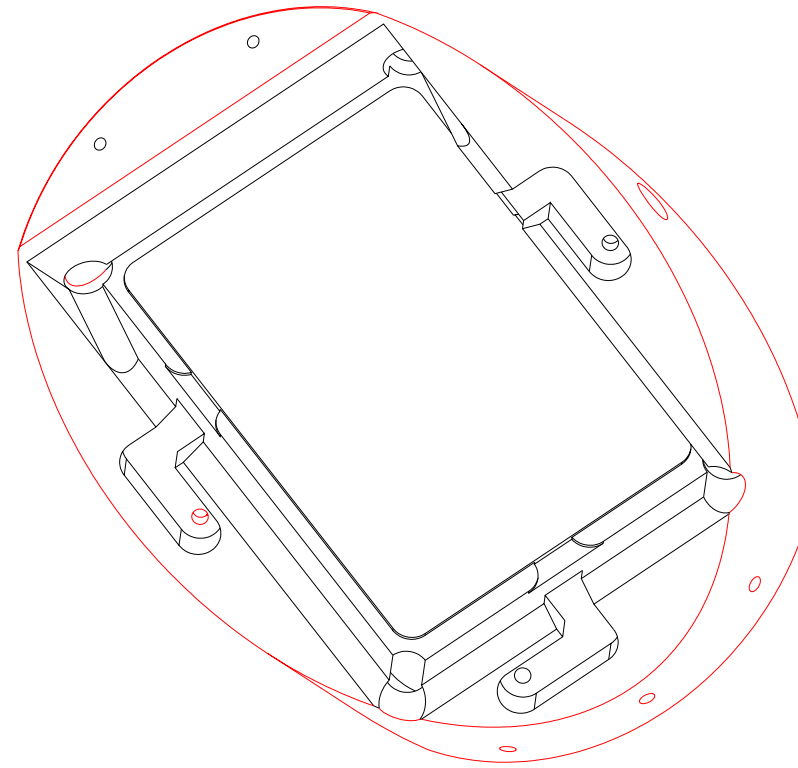


NOTES: UNLESS OTHERWISE NOTED
 1. MACHINED SURFACE ROUGHNESS 64
 O-RING GROOVES AND SURFACES 32
 2. REMOVE ALL BURRS/SHARP CORNERS

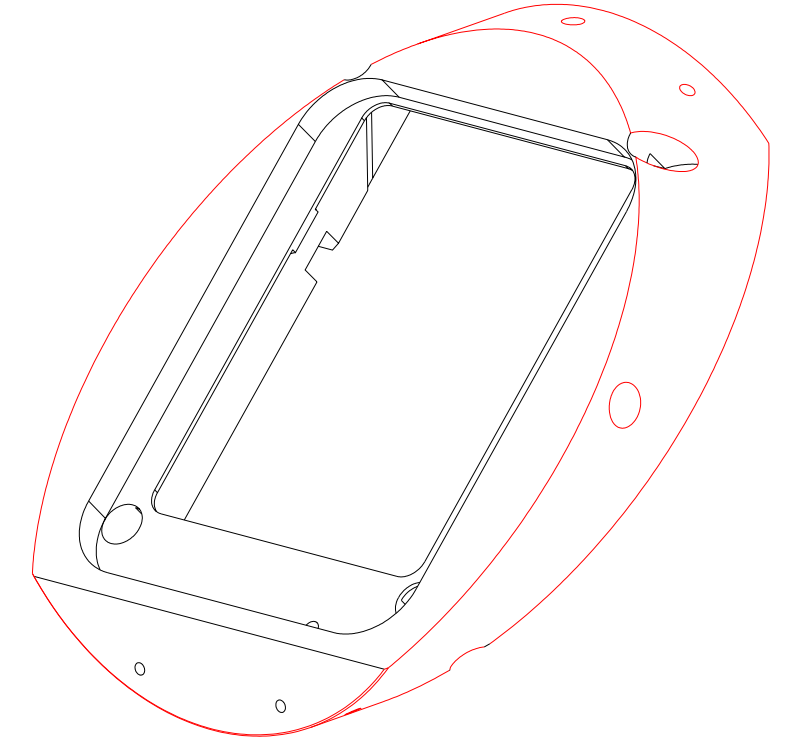
BILL OF MATERIAL				
NO.	REQ'D	REF DRW	DESCRIPTION	MATERIAL
N/A	2	SF6-013B	DICHROIC MOUNT	ALU 6061-T6



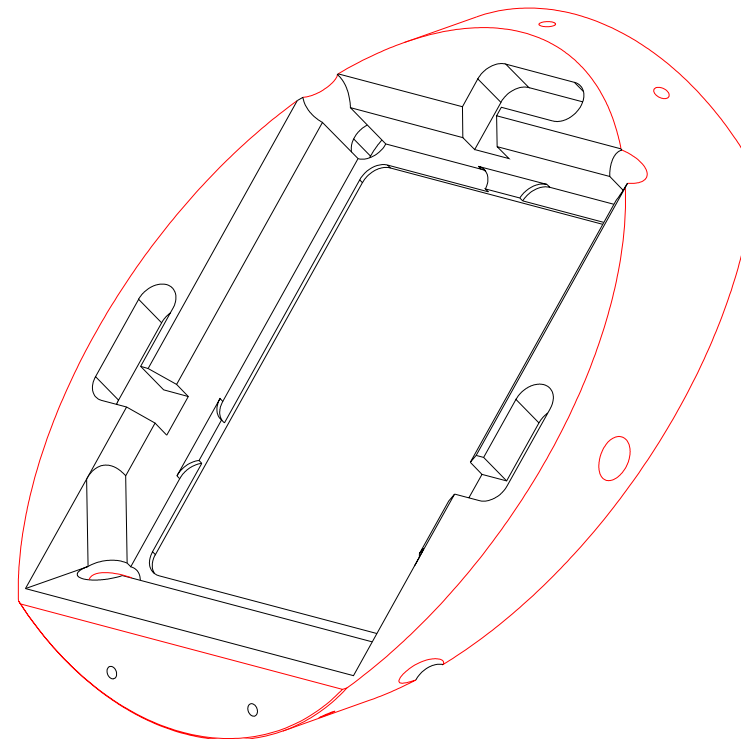
SECTION C-C: SCALE 1:1



ISOVIEW11: SCALE 1:1



ISOVIEW7: SCALE 1:1



ISOVIEW8: SCALE 1:1

SF6-001A
 NEXT ASSY

REVDATE: N/A	REVISION: N/A
DATE: 02/10/99	INSTITUTE FOR ASTRONOMY
DESIGN: STAHLBERGER	2680 WOODLAWN DR. HONOLULU, HI 96822
DRAWN: STAHLBERGER	INSTRUMENT: SPEX - CROSS DISPERSED SPECTROGRAPH
APPR'D: J. RAYNER	PART NAME: DICHROIC MOUNT
TOLERANCES	TELESCOPE: IRTF
X.X +/- .015	
X.XX +/- .005	
X.XXX +/- .002	
ANGLE +/- 30 min	
FRACTION +/- 1/32	
DRW NO: SF6-013B	SCALE: NOTED
SIZE: B	JOS NO: 725
	SHEET: 3 OF 3