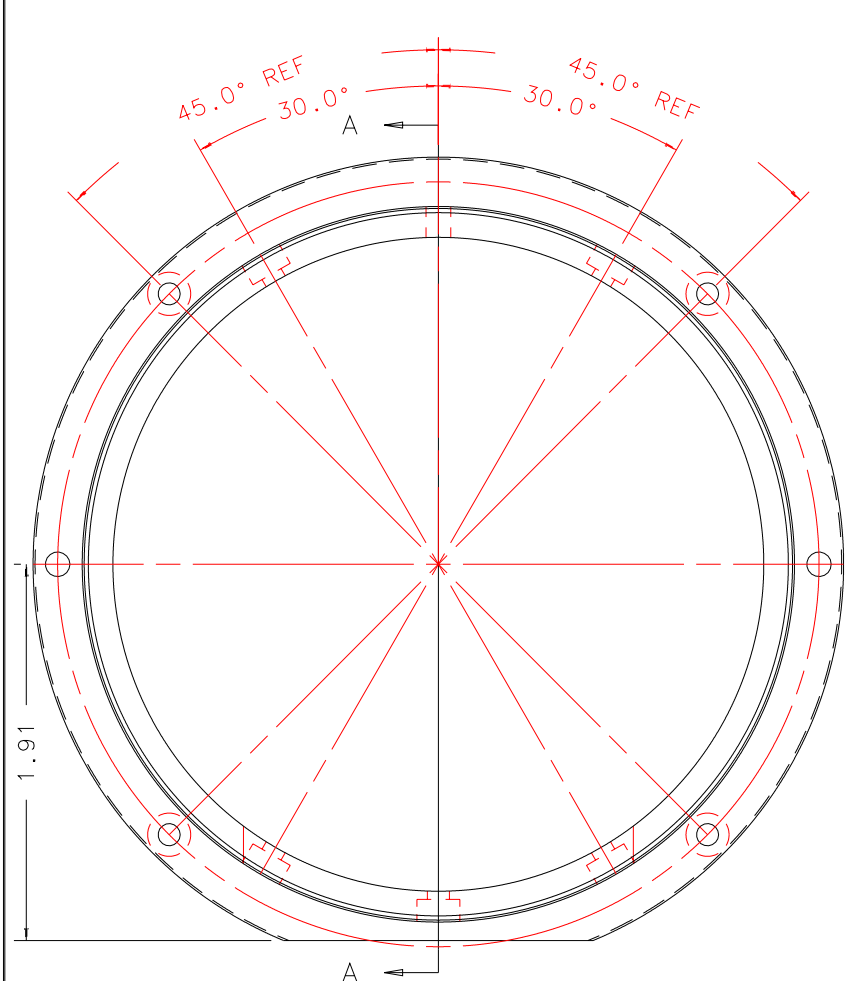


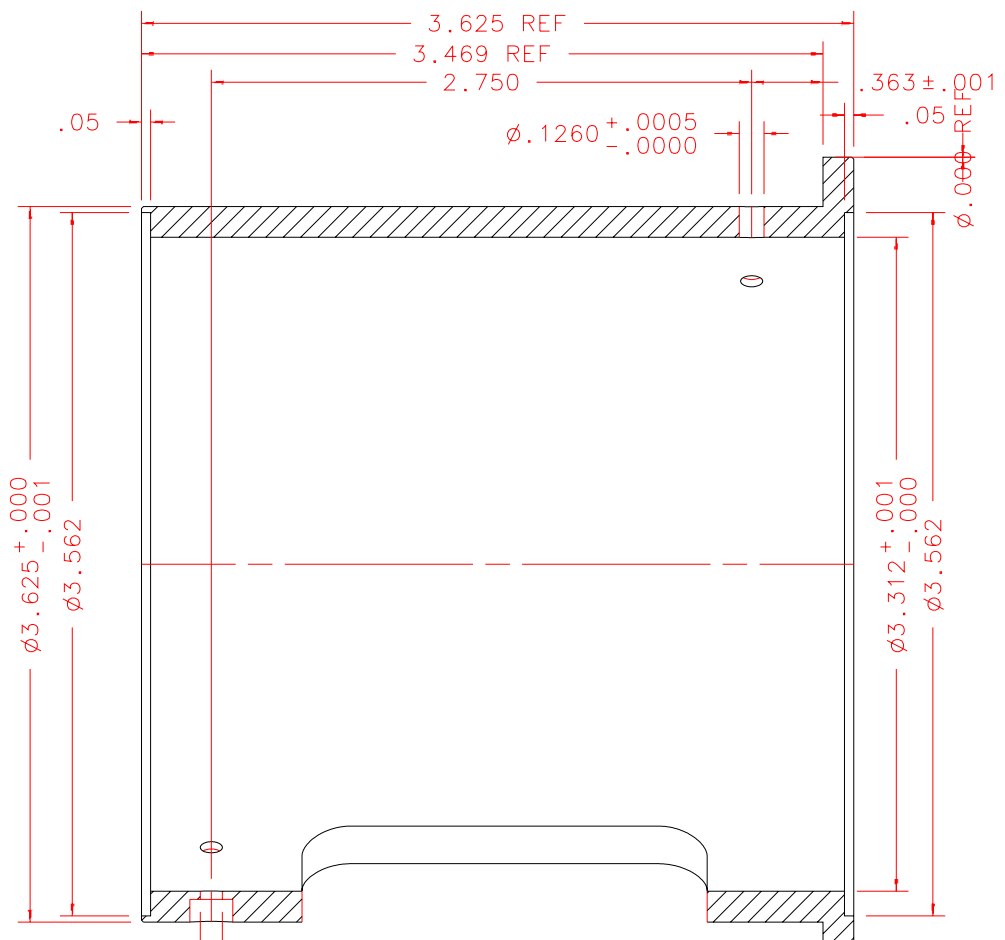
NOTES: UNLESS OTHERWISE NOTED

1. MACHINED SURFACE ROUGHNESS 64
O-RING GROOVES AND SURFACES 32
2. REMOVE ALL BURRS/SHARP CORNERS

BILL OF MATERIAL				
NO.	REQ'D	REF DRW	DESCRIPTION	MATERIAL
N/A	4	SF6-014A	DICHROIC MOUNTING TUBE	ALU 6061-T6



FRONT



5x $\phi .112 \pm .005$
DRILL
THRU
 $\phi .22$
 $\downarrow .12$

SECTION A-A

REVDATE: 09/01/99	REVISION: ADD FLAT TO CLEAR HALL
REVDATE: N/A	REVISION: N/A
DATE: 02/18/99	INSTITUTE FOR ASTRONOMY
DESIGN: STAHLBERGER	2680 WOODLAWN DR. HONOLULU, HI 96822
DRAWN: STAHLBERGER	INSTRUMENT: SPEX - CROSS DISPERSED SPECTROGRAPH
APPR'D: J. RAYNER	PART NAME: DICHROIC MOUNTING TUBE
TOLERANCES	
X.X	+/- .015
X.XX	+/- .005
X.XXX	+/- .002
ANGLE	+/- 30 min
FRACTION	+/- 1/32
DRW NO: SF6-014A	SCALE: 1:1
SIZE: A	JOS NO: 725
SHEET: 1 OF 2	

PLOT: 10/19/99

SF6-001A
NEXT ASSY