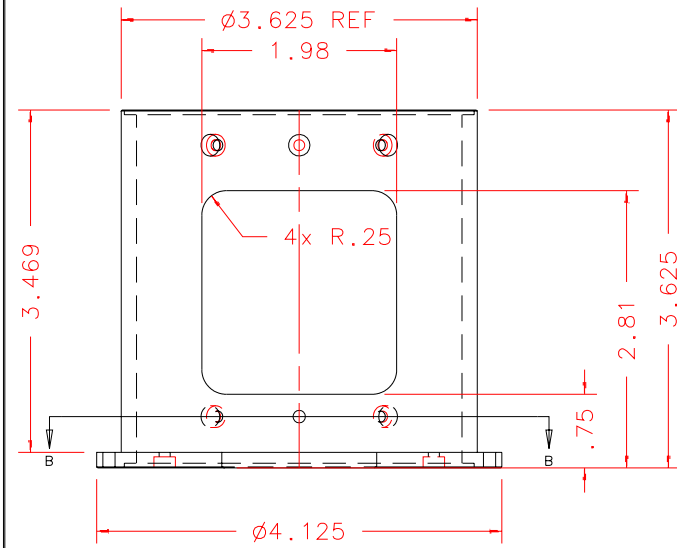


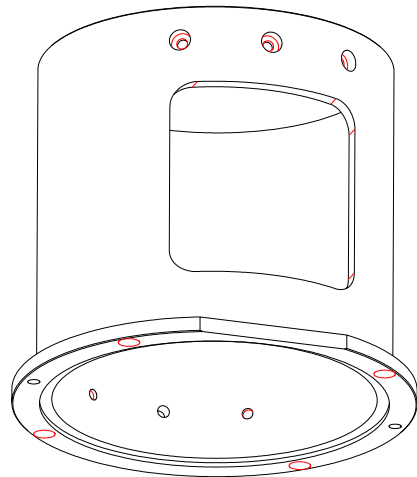
NOTES: UNLESS OTHERWISE NOTED

1. MACHINED SURFACE ROUGHNESS 64
O-RING GROOVES AND SURFACES 32
2. REMOVE ALL BURRS/SHARP CORNERS

BILL OF MATERIAL				
NO.	REQ'D	REF DRW	DESCRIPTION	MATERIAL
N/A	4	SF6-014A	DICHROIC MOUNTING TUBE	ALU 6061-T6



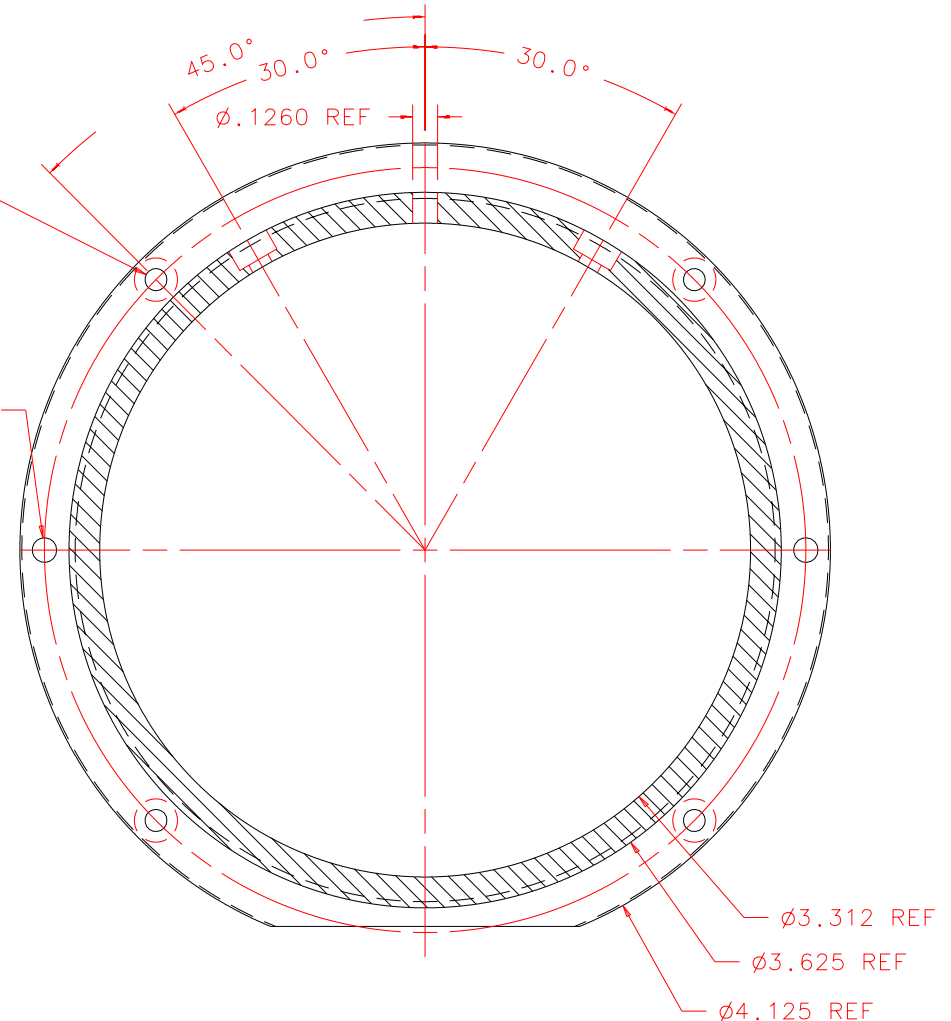
BOTTOM: SCALE 1:2



ISOVIEW8: SCALE 1:2

4x $\phi .112^{+.005}_{-.000}$
 DRILL THRU
 $\perp \phi .22$
 $\nabla .12$
 FAR SIDE
 EQ.SPCD
 $\phi 3.875$ BC

2x $\phi .1245^{+.0005}_{-.0000}$
 EQ.SPCD
 $\phi 3.875$ BC



SECTION B-B

REVDATE: 09/01/99	REVISION: ADD FLAT TO CLEAR HALL
REVDATE: N/A	REVISION: N/A
DATE: 02/18/99	INSTITUTE FOR ASTRONOMY
DESIGN: STAHLBERGER	2680 WOODLAWN DR. HONOLULU, HI 96822
DRAWN: STAHLBERGER	INSTRUMENT: SPEX - CROSS DISPERSED SPECTROGRAPH
APPR'D: J. RAYNER	PART NAME: DICHOIC MOUNTING TUBE
TOLERANCES	
X.X	+/- .015
X.XX	+/- .005
X.XXX	+/- .002
ANGLE	+/- 30 min
FRACTION	+/- 1/32
TELESCOPE: IRTF	
SF6-001A	DRW NO: SF6-014A
NEXT ASSY	SCALE: 1:1
SIZE: A	JOS NO: 725
	SHEET: 2 OF 2

PLOT: 10/19/99