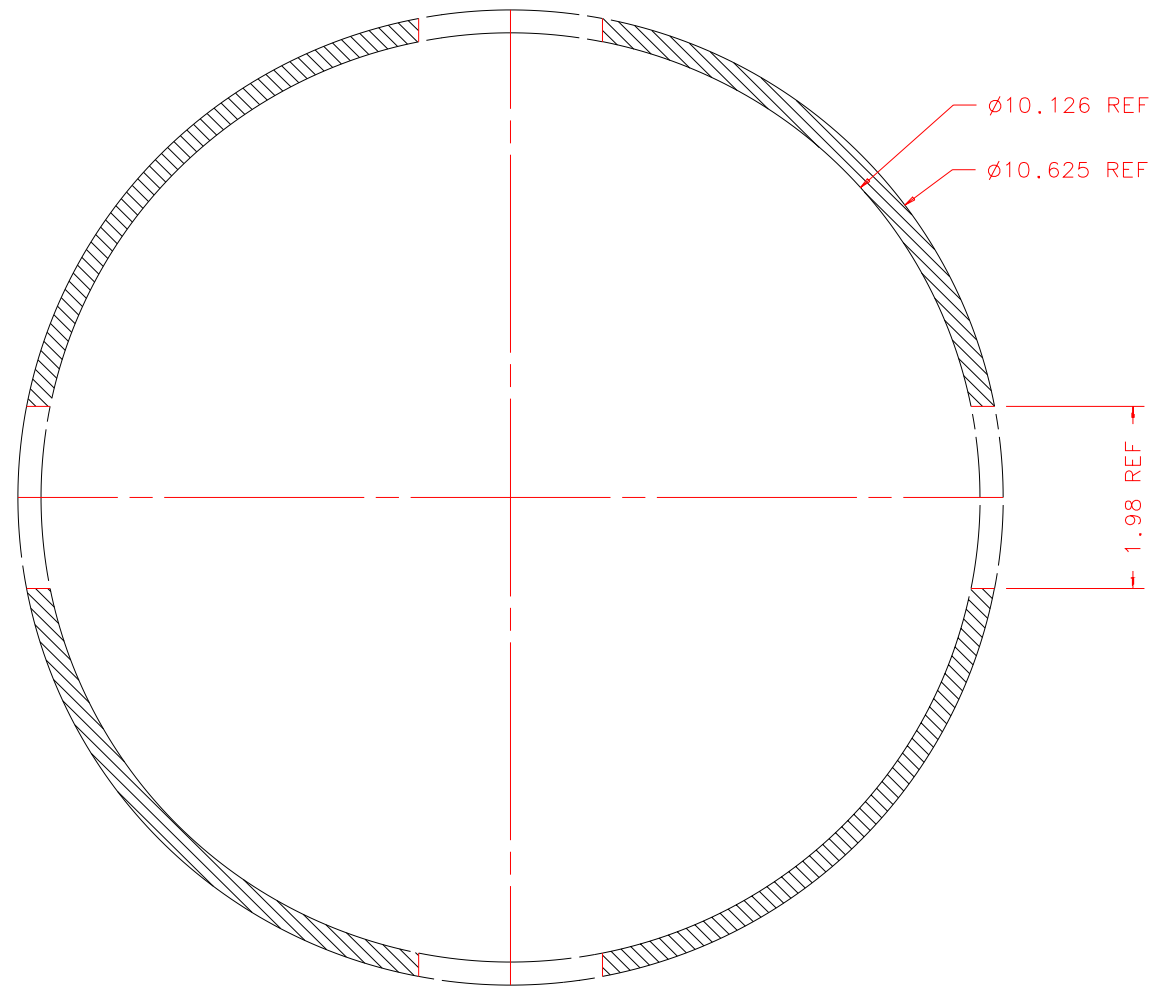
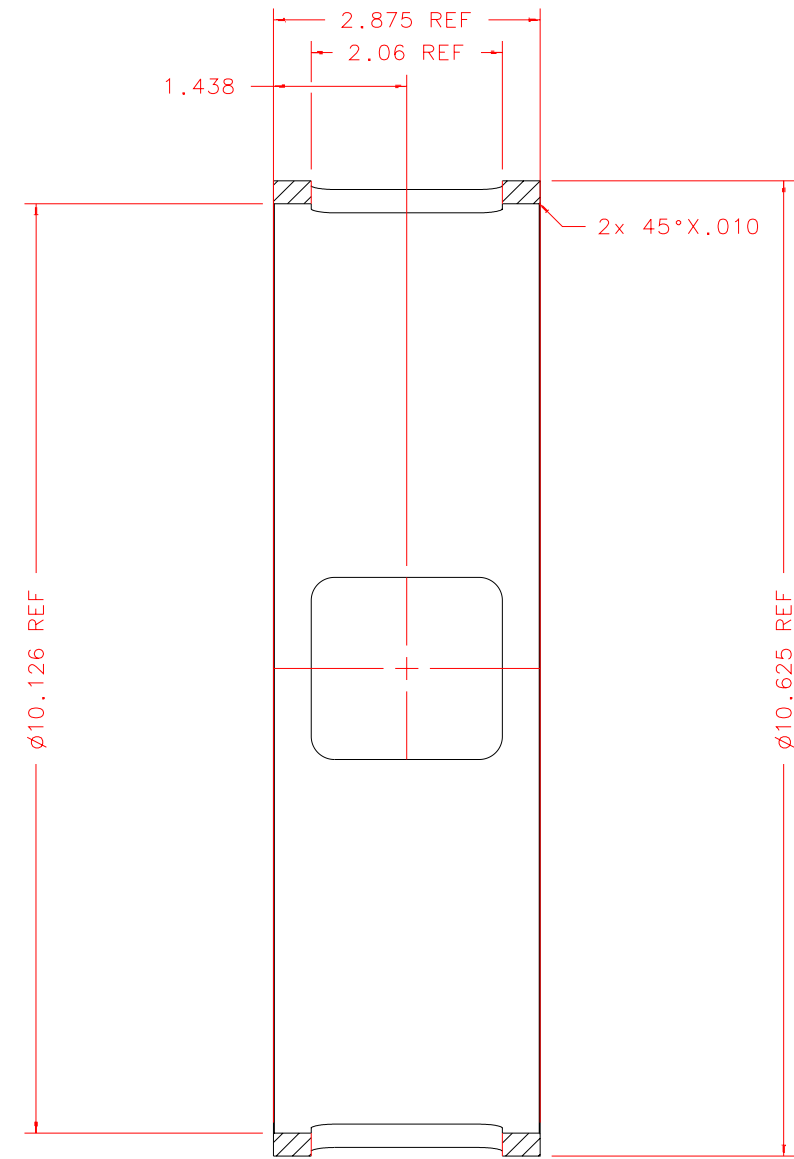


NOTES: UNLESS OTHERWISE NOTED
 1. MACHINED SURFACE ROUGHNESS 64
 O-RING GROOVES AND SURFACES 32
 2. REMOVE ALL BURRS/SHARP CORNERS

BILL OF MATERIAL				
NO.	REQ'D	REF DRW	DESCRIPTION	MATERIAL
N/A	1	SF7-011B	DRUM CYLINDER	ALU 6061-T6



SECTION B-B:
SCALE 1:2



SECTION A-A:
SCALE 1:2

PLOT: 10/19/99

SF7-001B
NEXT ASSY

REVDATE: N/A	REVISION: N/A
DATE: 01/28/99	INSTITUTE FOR ASTRONOMY
DESIGN: STAHLBERGER	2680 WOODLAWN DR. HONOLULU, HI 96822
DRAWN: STAHLBERGER	INSTRUMENT: SPEX - CROSS DISPERSED SPECTROGRAPH
APPR'D: J. RAYNER	PART NAME: DRUM CYLINDER
TOLERANCES	TELESCOPE: IRTF
X.X +/- .015	DRW NO: SF7-011B
X.XX +/- .005	SCALE: NOTED
X.XXX +/- .002	SIZE: B
ANGLE +/- 30 min	JOS NO: 725
FRACTION +/- 1/32	SHEET: 2 OF 2