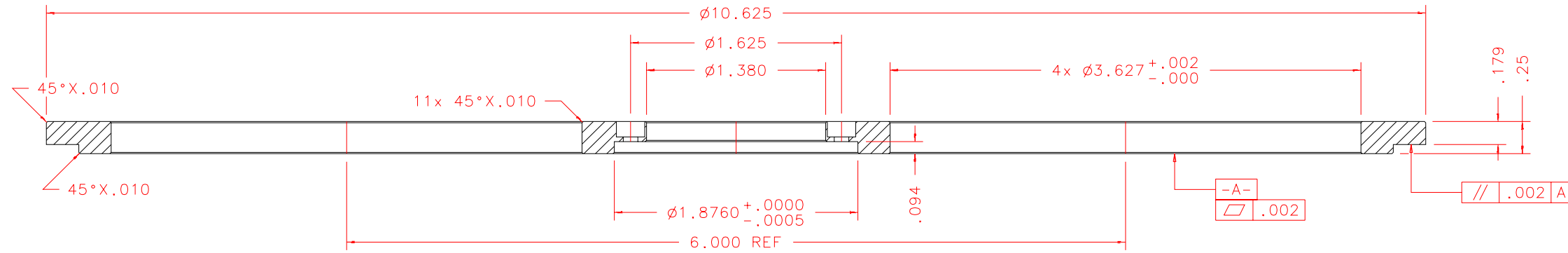
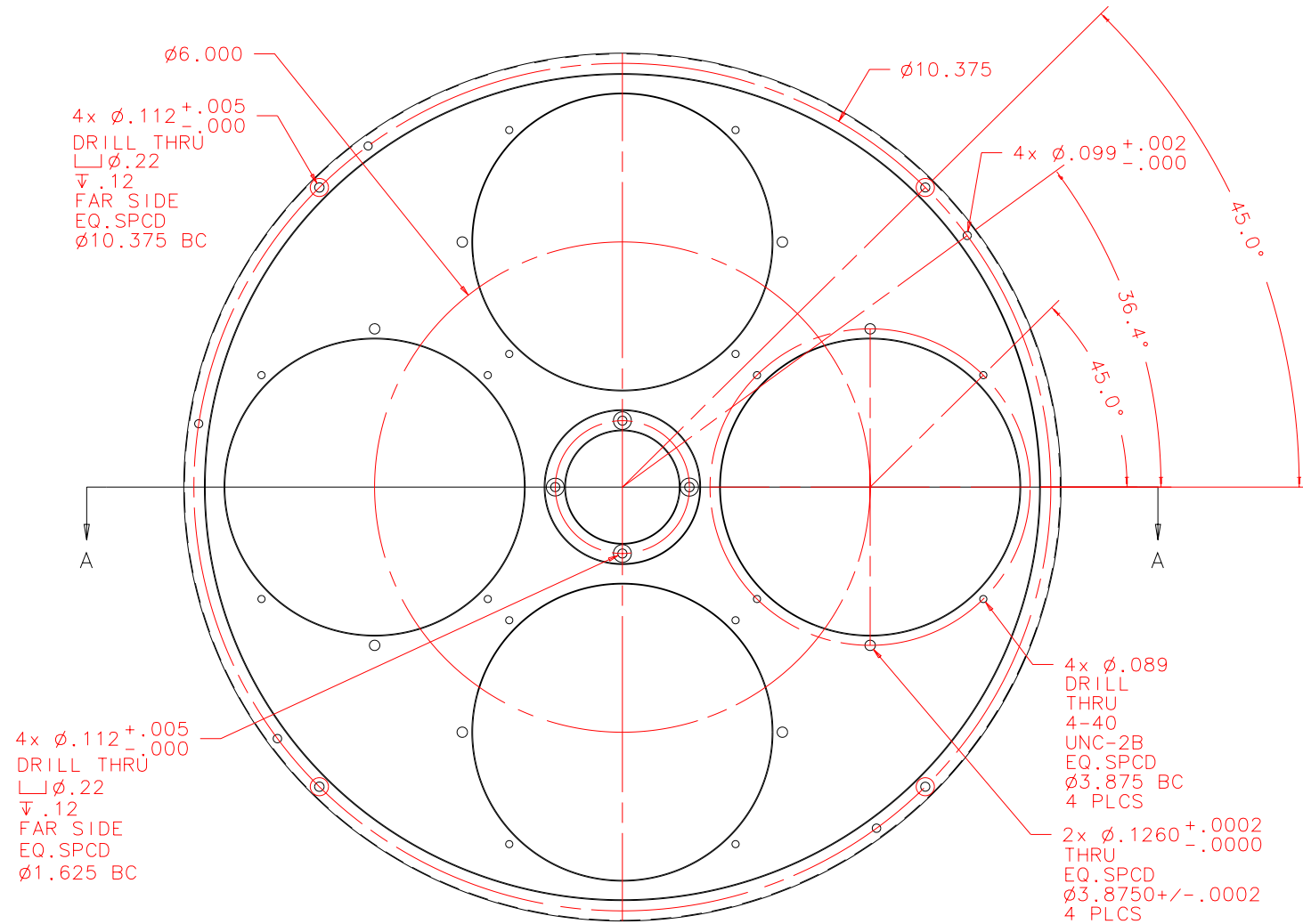


NOTES: UNLESS OTHERWISE NOTED
 1. MACHINED SURFACE ROUGHNESS 64
 O-RING GROOVES AND SURFACES 32
 2. REMOVE ALL BURRS/SHARP CORNERS

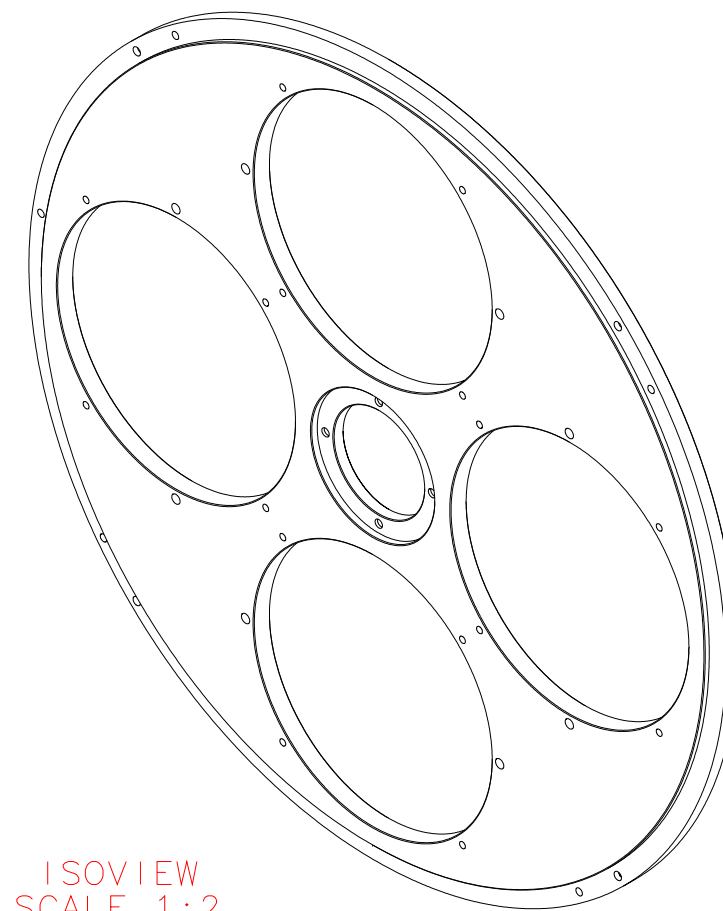
BILL OF MATERIAL				
NO.	REQ'D	REF DRW	DESCRIPTION	MATERIAL
N/A	1	SF7-013B	DRUM FLANGE -Z	ALU 6061-T6



SECTION A-A: SCALE 1:1



FRONT: SCALE 1:2



ISOVIEW
SCALE 1:2

REVDATE: N/A	REVISION: N/A
DATE: 01/29/99	INSTITUTE FOR ASTRONOMY
DESIGN: STAHLBERGER	2680 WOODLAWN DR. HONOLULU, HI 96822
DRAWN: STAHLBERGER	INSTRUMENT: SPEX - CROSS DISPERSED SPECTROGRAPH
APPR'D: J. RAYNER	PART NAME: DRUM FLANGE -Z
TOLERANCES	
X.X	+/- .015
X.XX	+/- .005
X.XXX	+/- .002
ANGLE	+/- 30 min
FRACTION	+/- 1/32
DRW NO: SF7-013B	SCALE: NOTED
SIZE: B	JOS NO: 725
SHEET: 1 OF 1	