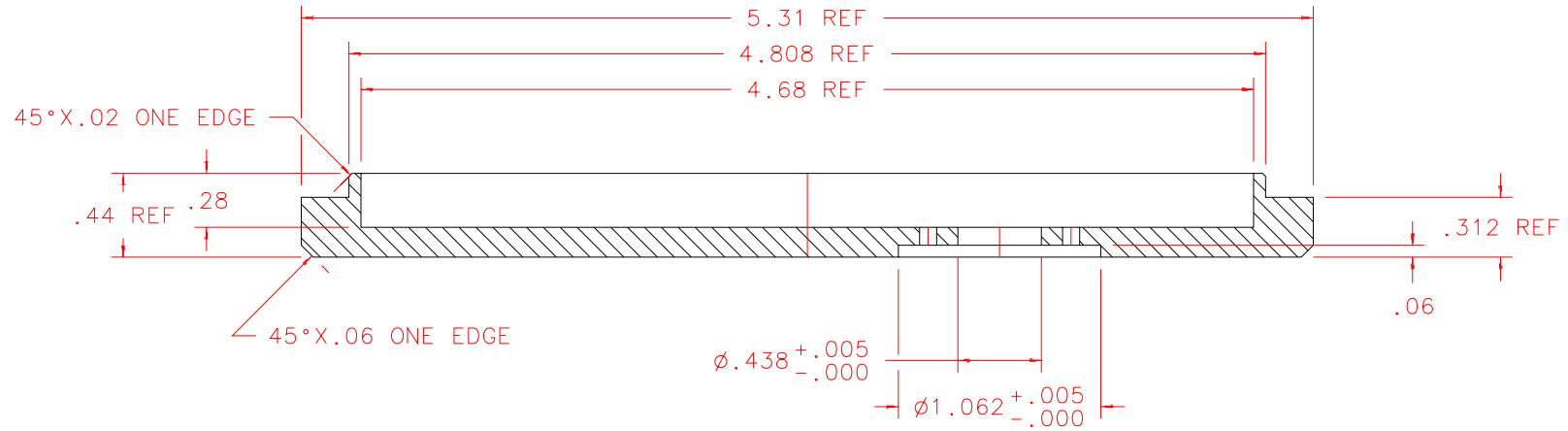


NOTES: UNLESS OTHERWISE NOTED

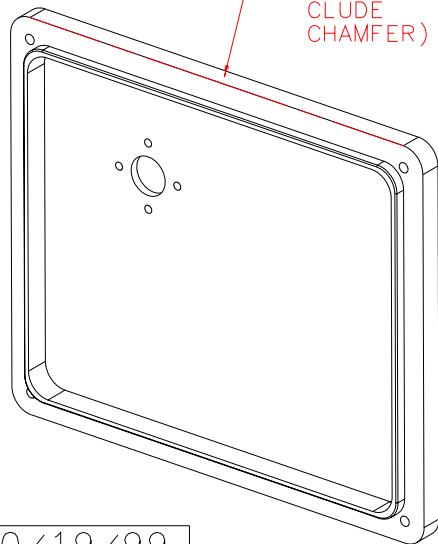
1. MACHINED SURFACE ROUGHNESS 64
O-RING GROOVES AND SURFACES 32
2. REMOVE ALL BURRS/SHARP CORNERS

BILL OF MATERIAL				
NO.	REQ'D	REF DRW	DESCRIPTION	MATERIAL
N/A	1	SF8-011A	ACCESS COVER	ALU 6061-T6



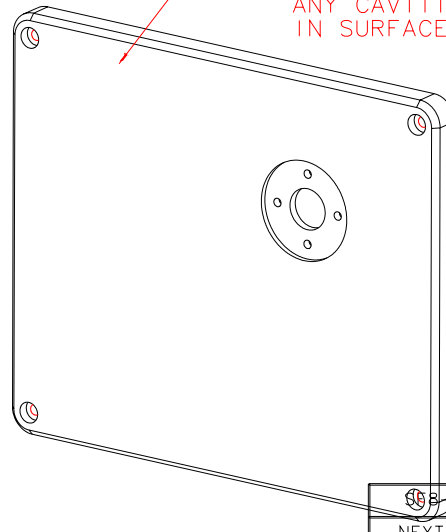
SECTION A-A: SCALE 1:1

ISO VIEW 5
SCALE 1:2



POLISH ONE
EDGE ALL
AROUND TO
10 MICRON
FINISH (IN-
CLUDE
CHAMFER)

ISO VIEW 6
SCALE 1:2



POLISH ONE
SURFACE TO
10 MICRON
FINISH, DO
NOT POLISH
ANY CAVITIES
IN SURFACE

PLOT: 10/19/99

001B
NEXT ASSY

REVDATE: N/A	REVISION: N/A
DATE: 12/28/98	INSTITUTE FOR ASTRONOMY 2680 WOODLAWN DR. HONOLULU, HI 96822
DESIGN: STAHLBERGER	
DRAWN: STAHLBERGER	INSTRUMENT: SPEX - CROSS DISPERSED SPECTROGRAPH
APPR'D: J. RAYNER	PART NAME: ACCESS COVER
TOLERANCES	
X.X	+/- .015
X.XX	+/- .005
X.XXX	+/- .002
ANGLE	+/- 30 min
FRACTION	+/- 1/32
DRW NO: SF8-011A	SCALE: NOTED
SIZE: A	JOS NO: 725
SHEET: 2 OF 2	