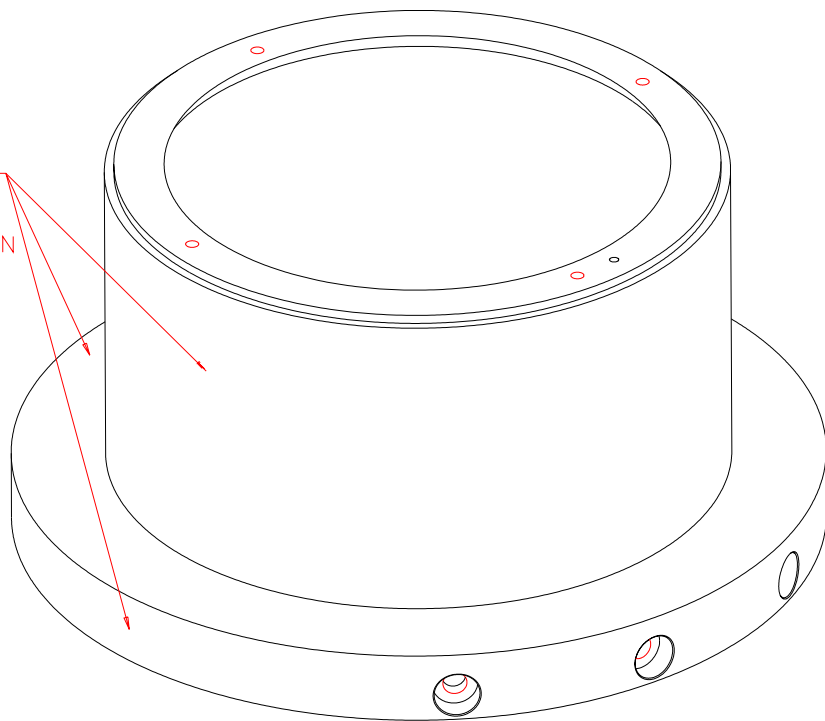


NOTES: UNLESS OTHERWISE NOTED

1. MACHINED SURFACE ROUGHNESS 64  
O-RING GROOVES AND SURFACES 32
2. REMOVE ALL BURRS/SHARP CORNERS

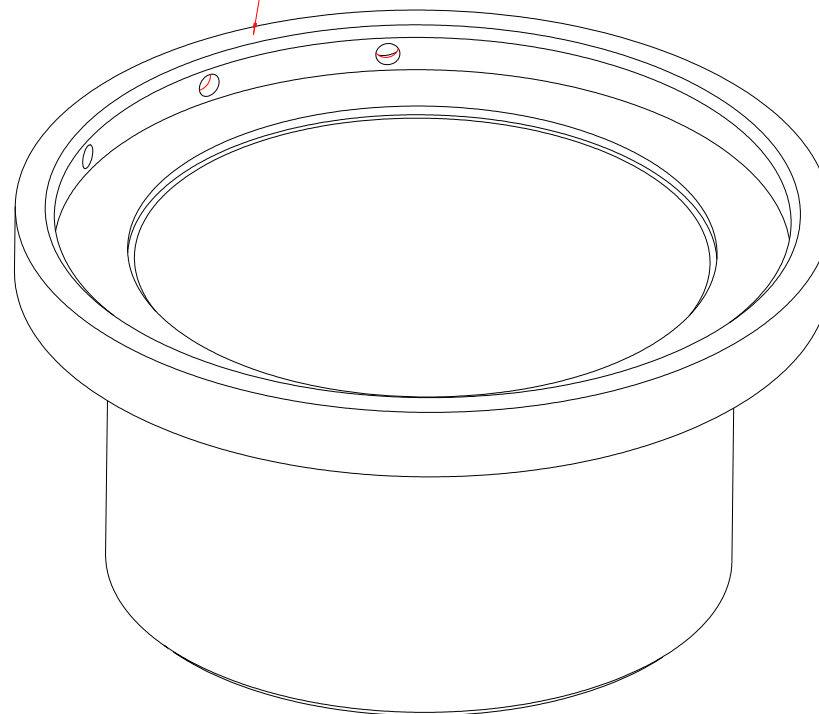
BILL OF MATERIAL				
NO.	REQ'D	REF DRW	DESCRIPTION	MATERIAL
N/A	1	SF8-013A	BAFFLE TUBE FEMALE	ALU 6061-T6

POLISH  
3 SUR-  
FACES TO  
10 MICRON  
FINISH



ISOVIEW 3:NO SCALE

POLISH  
ONE SUR-  
FACE TO  
10 MICRON  
FINISH



ISOVIEW 7:NO SCALE

PLOT:10/19/99

SF8-001B  
NEXT ASSY

REVDATE: N/A	REVISION: N/A
DATE: 12/29/98	<b>INSTITUTE FOR ASTRONOMY</b> 2680 WOODLAWN DR. HONOLULU, HI 96822
DESIGN: STAHLBERGER	
DRAWN: STAHLBERGER	
APPR'D: J. RAYNER	
<b>TOLERANCES</b>	
X.X	+/- .015
X.XX	+/- .005
X.XXX	+/- .002
ANGLE	+/- 30 min
FRACTION	+/- 1/32
INSTRUMENT: SPEX - CROSS DISPERSED SPECTROGRAPH	
PART NAME: BAFFLE TUBE FEMALE	
TELESCOPE: IRTF	
DRW NO: SF8-013A	SCALE: NOTED
SIZE: A	JOS NO: 725
SHEET: 3 OF 3	