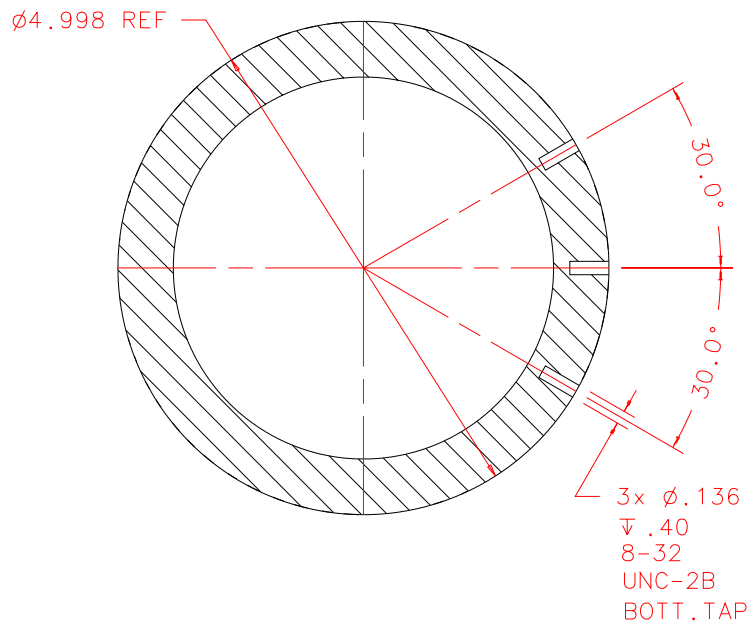


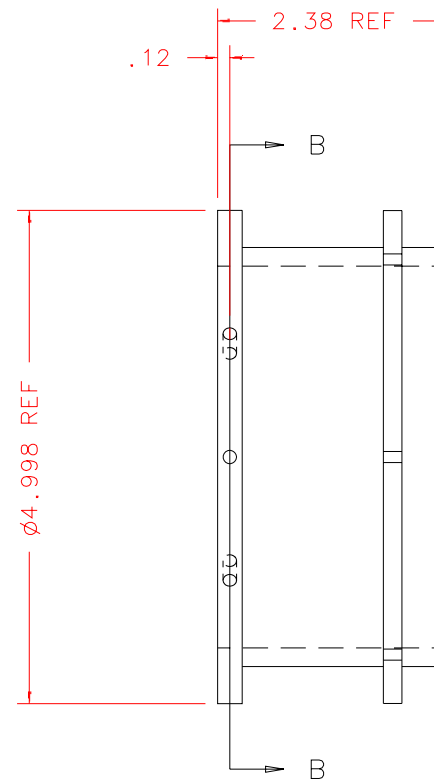
NOTES: UNLESS OTHERWISE NOTED

1. MACHINED SURFACE ROUGHNESS 64
- O-RING GROOVES AND SURFACES 32
2. REMOVE ALL BURRS/SHARP CORNERS

BILL OF MATERIAL				
NO.	REQ'D	REF DRW	DESCRIPTION	MATERIAL
N/A	1	SF8-016A	BAFFLE TUBE MALE	ALU 6061-T6



SECTION B-B



LEFT

REVDATE: 10/15/99	REVISION: ADD THIRD 8-32 HOLE
REVDATE: N/A	REVISION: N/A
DATE: 01/04/99	INSTITUTE FOR ASTRONOMY 2680 WOODLAWN DR. HONOLULU, HI 96822
DESIGN: STAHLBERGER	
DRAWN: STAHLBERGER	INSTRUMENT: SPEX - CROSS DISPERSED SPECTROGRAPH
APPR'D: J. RAYNER	PART NAME: BAFFLE TUBE MALE
TOLERANCES	
X.X	+/- .015
X.XX	+/- .005
X.XXX	+/- .002
ANGLE	+/- 30 min
FRACTION	+/- 1/32
TELESCOPE: IRTF	
DRW NO: SF8-016A	
SCALE: 1:2	
SIZE: A	JOS NO: 725
SHEET: 2 OF 2	

PLOT:10/19/99

SF8-001B
NEXT ASSY