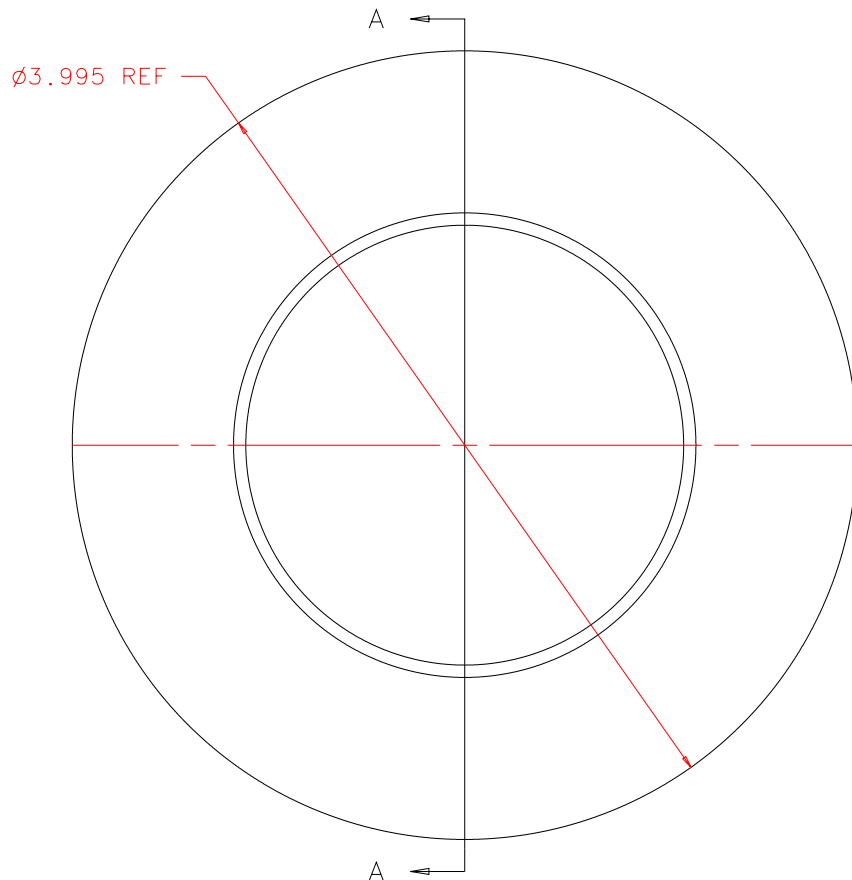


NOTES: UNLESS OTHERWISE NOTED

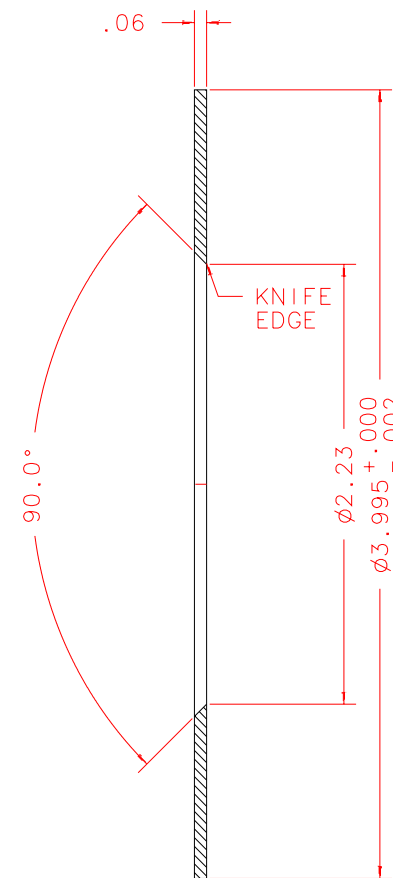
1. MACHINED SURFACE ROUGHNESS 64  
O-RING GROOVES AND SURFACES 32
2. REMOVE ALL BURRS/SHARP CORNERS

BILL OF MATERIAL

NO.	REQ'D	REF DRW	DESCRIPTION	MATERIAL
N/A	1	SF8-017A	BAFFLE TUBE MALE INSERT	ALU 6061-T6



FRONT



SECTION A-A

REVDATE: 10/13/99	REVISION: APERTURE CHAN'D FROM SQUARE TO ROUND
REVDATE: N/A	REVISION: N/A
DATE: 01/04/99	<b>INSTITUTE FOR ASTRONOMY</b>
DESIGN: STAHLBERGER	2680 WOODLAWN DR. HONOLULU, HI 96822
DRAWN: STAHLBERGER	INSTRUMENT: SPEX - CROSS DISPERSED SPECTROGRAPH
APPR'D: J. RAYNER	PART NAME: BAFFLE TUBE MALE INSERT
	TELESCOPE: IRTF
<b>TOLERANCES</b>	
X.X	+/- .015
X.XX	+/- .005
X.XXX	+/- .002
ANGLE	+/- 30 min
FRACTION	+/- 1/32
DRW NO: SF8-017A	SCALE: 1:1
SIZE: A	JOS NO: 725
	SHEET: 1 OF 1

PLOT: 10/19/99

SF8-001B  
NEXT ASSY