

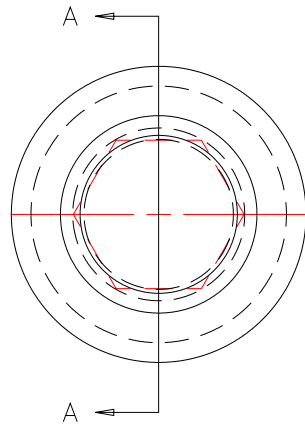
NOTES: UNLESS OTHERWISE NOTED

1. MACHINED SURFACE ROUGHNESS 64
O-RING GROOVES AND SURFACES 32
2. REMOVE ALL BURRS/SHARP CORNERS

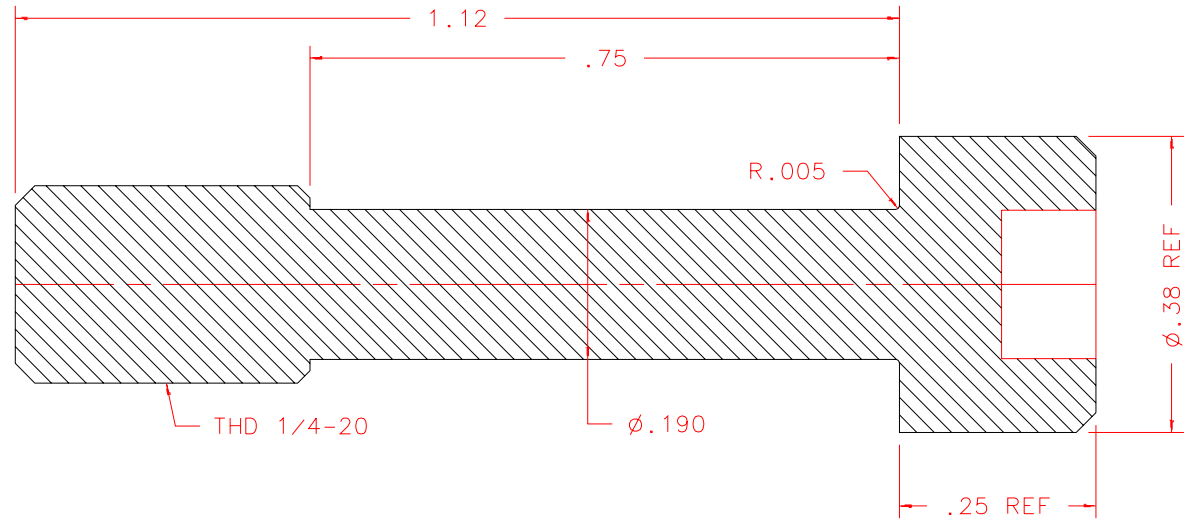
MAKE FROM
HEX SOCKET HEAD
1/4-20 x 1.25

BILL OF MATERIAL

NO.	REQ'D	REF DRW	DESCRIPTION	MATERIAL
N/A	4	SF8-018A	CAPTIVE SCREW	STAINLESS



FRONT



SECTION A-A

PLOT: 10/19/99

SF8-001B
NEXT ASSY

REVDATE: N/A	REVISION: N/A		
DATE: 12/29/98	INSTITUTE FOR ASTRONOMY 2680 WOODLAWN DR. HONOLULU, HI 96822		
DESIGN: STAHLBERGER			
DRAWN: STAHLBERGER			
APPR'D: J. RAYNER			
TOLERANCES			
X.X	+/- .015	INSTRUMENT: SPEX - CROSS DISPERSED SPECTROGRAPH PART NAME: CAPTIVE SCREW TELESCOPE: IRTF	
X.XX	+/- .005		
X.XXX	+/- .002		
ANGLE	+/- 30 min		
FRACTION	+/- 1/32	DRW NO: SF8-018A	SCALE: 4:1
SIZE: A	JOS NO: 725	SHEET: 1 OF 1	