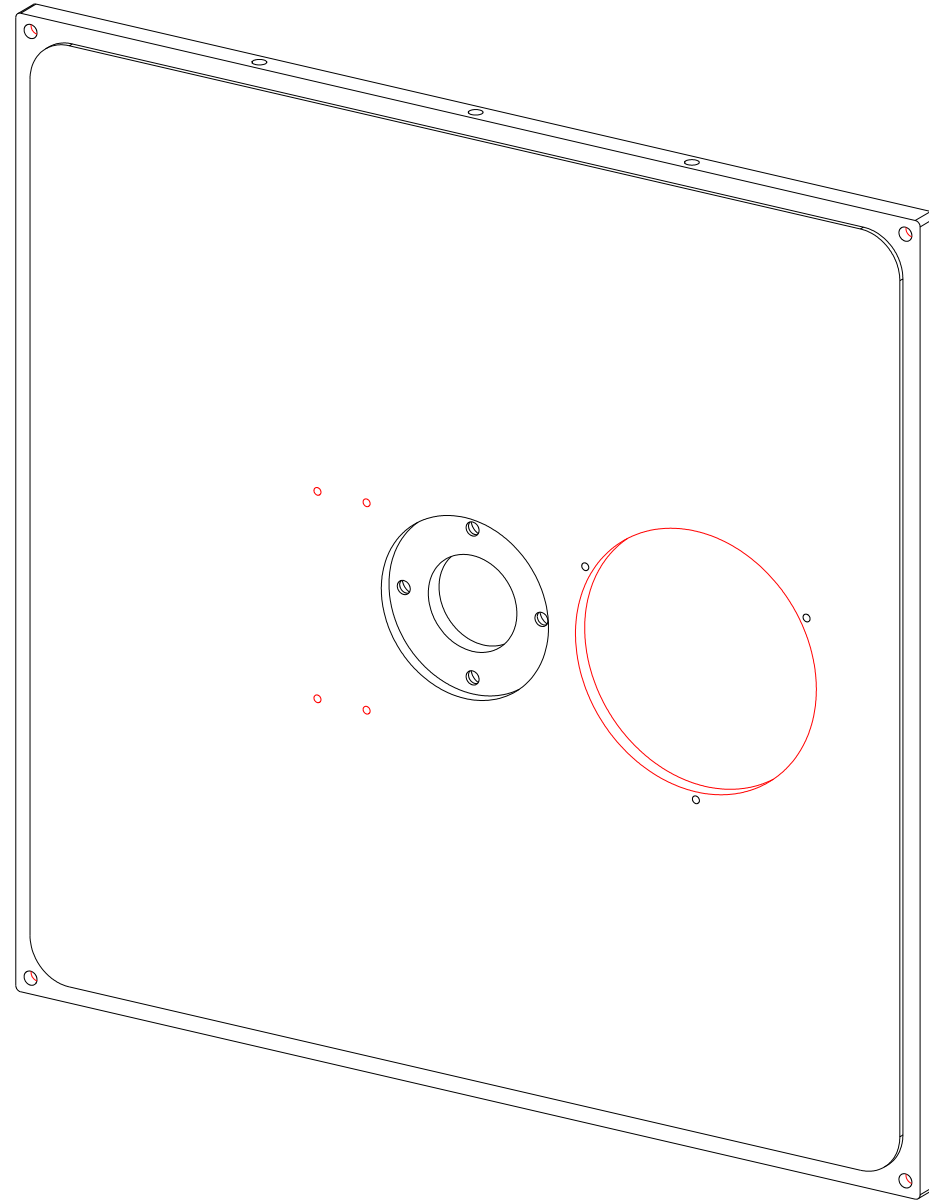
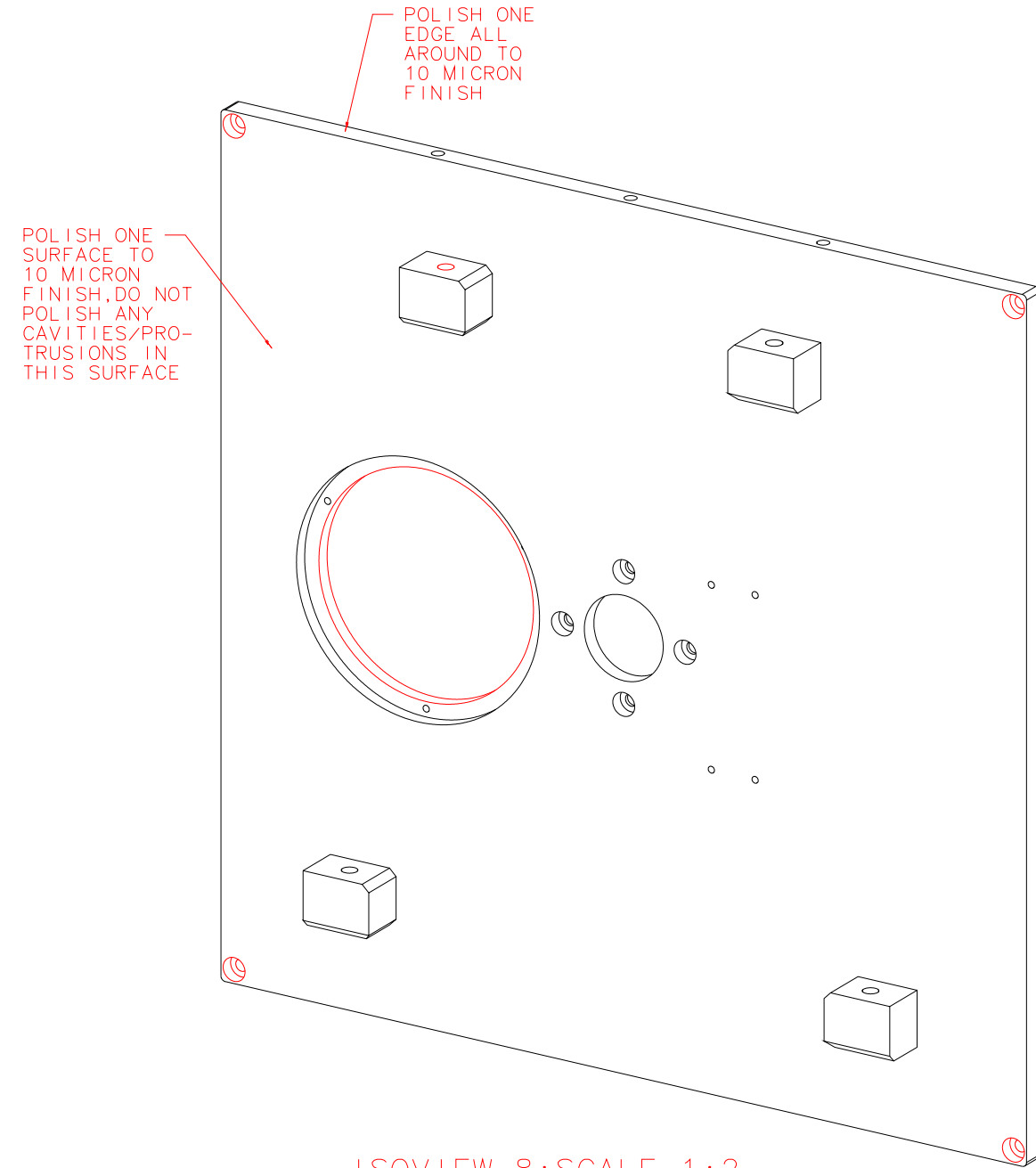


NOTES: UNLESS OTHERWISE NOTED  
 1. MACHINED SURFACE ROUGHNESS 64  
 O-RING GROOVES AND SURFACES 32  
 2. REMOVE ALL BURRS/SHARP CORNERS

BILL OF MATERIAL				
NO.	REQ'D	REF DRW	DESCRIPTION	MATERIAL
N/A	1	SF8-019B	FRAME BASE PLATE	ALU 6061-T6



ISOVIEW 7:SCALE 1:2



ISOVIEW 8:SCALE 1:2

PLOT: 10/19/99

SF8-001B	
NEXT ASSY	

REVDATE: N/A	REVISION: N/A
DATE: 12/22/98	<b>INSTITUTE FOR ASTRONOMY</b>
DESIGN: STAHLBERGER	2680 WOODLAWN DR. HONOLULU, HI 96822
DRAWN: STAHLBERGER	INSTRUMENT: SPEX - CROSS DISPERSED SPECTROGRAPH
APPR'D: J. RAYNER	PART NAME: FRAME BASE PLATE
<b>TOLERANCES</b>	TELESCOPE: IRTF
X.X +/- .015	DRW NO: SF8-019B
X.XX +/- .005	SCALE: 1:2
X.XXX +/- .002	SIZE: B
ANGLE +/- 30 min	JOS NO: 725
FRACTION +/- 1/32	SHEET: 3 OF 3