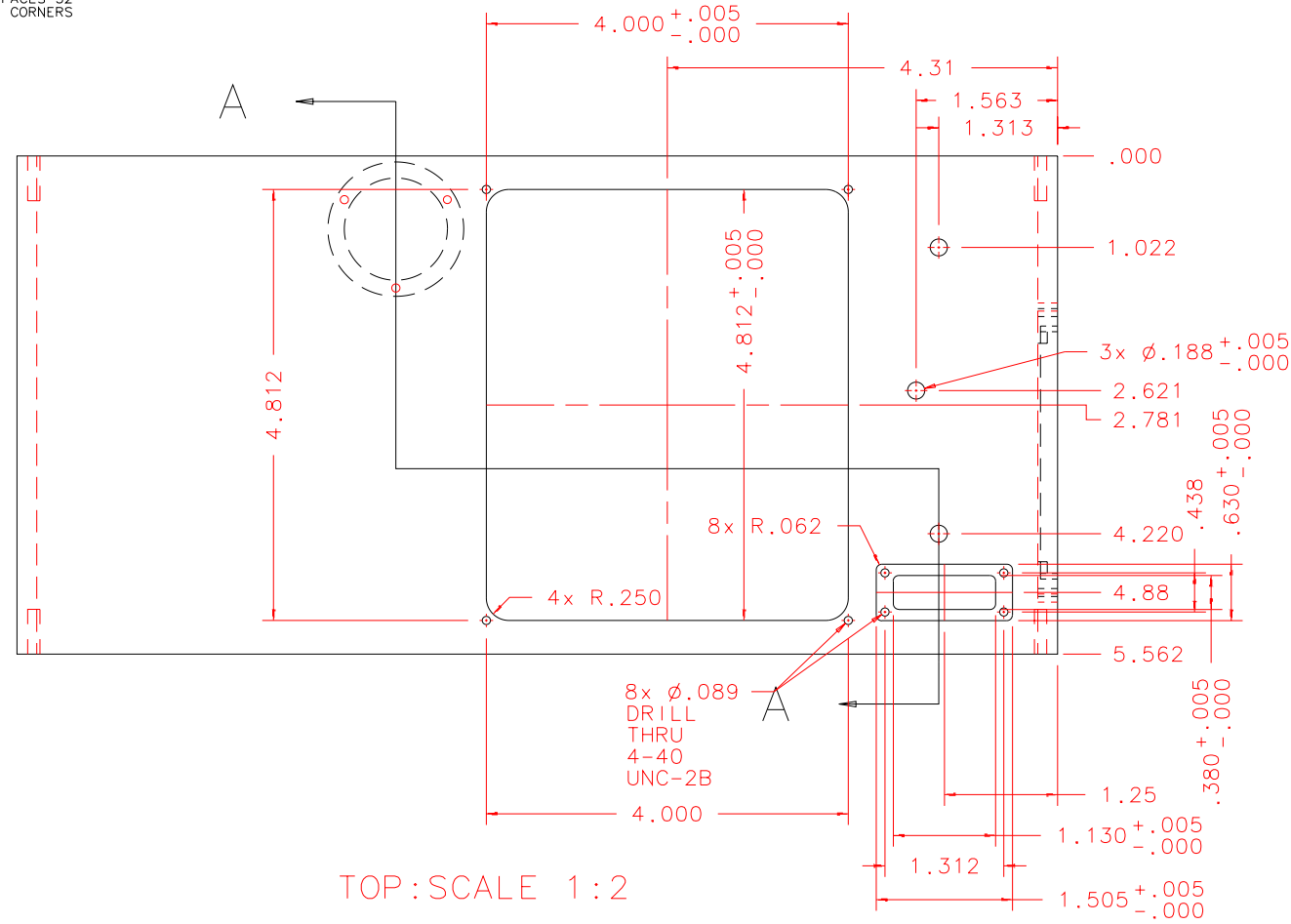
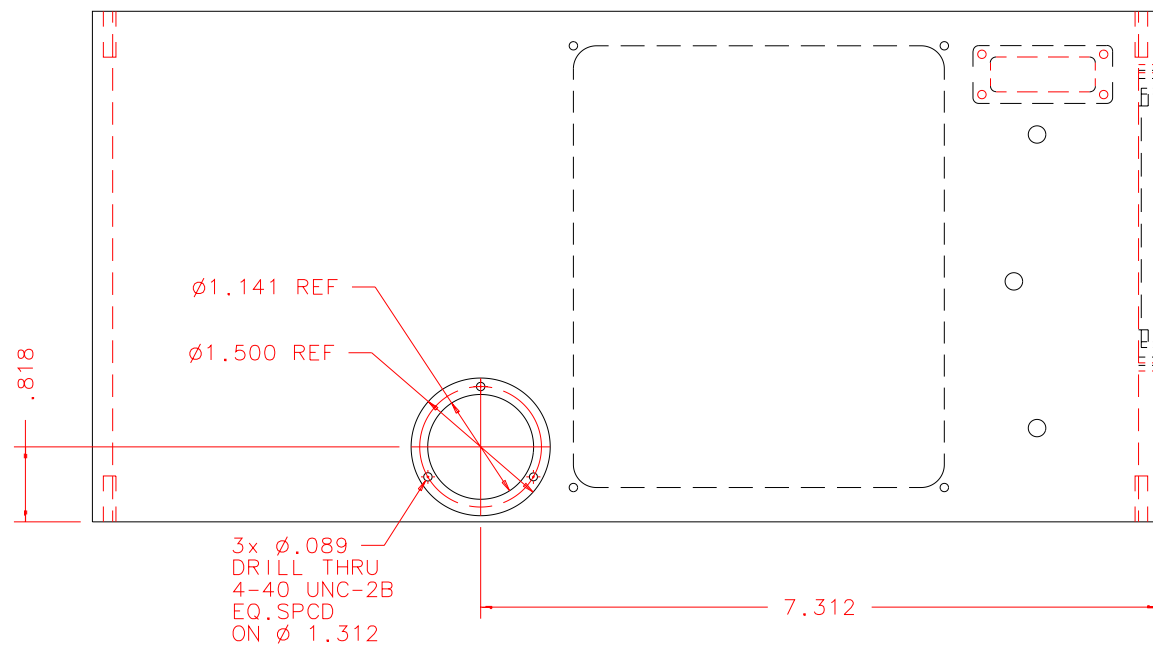


NOTES: UNLESS OTHERWISE NOTED
 1. MACHINED SURFACE ROUGHNESS 64
 O-RING GROOVES AND SURFACES 32
 2. REMOVE ALL BURRS/SHARP CORNERS

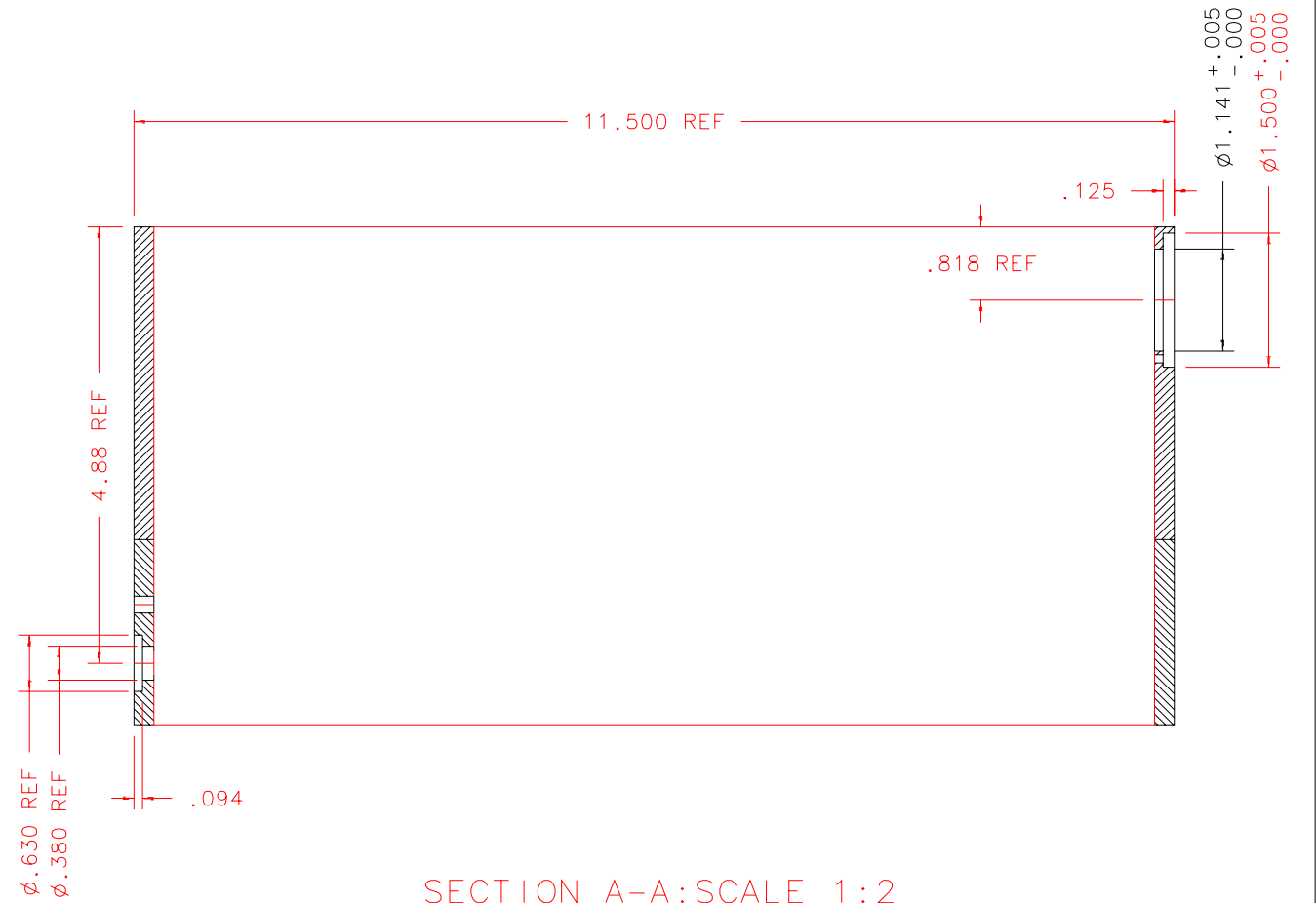
BILL OF MATERIAL				
NO.	REQ'D	REF DRW	DESCRIPTION	MATERIAL
N/A	1	SF8-020B	FRAME CENTER	ALU 6061-T6



TOP: SCALE 1:2



BOTTOM: SCALE 1:2



SECTION A-A: SCALE 1:2

PLOT: 10/19/99

SF8-001B
 NEXT ASSY

REVDATE: 06/22/99	REVISION: DIA 1.414 WAS .875
REVDATE: N/A	REVISION: N/A
DATE: 12/17/98	INSTITUTE FOR ASTRONOMY
DESIGN: STAHLBERGER	2680 WOODLAWN DR. HONOLULU, HI 96822
DRAWN: STAHLBERGER	INSTRUMENT: SPEX - CROSS DISPERSED SPECTROGRAPH
APPR'D: J. RAYNER	PART NAME: FRAME CENTER
TOLERANCES	TELESCOPE: IRTF
X.X +/- .015	
X.XX +/- .005	
X.XXX +/- .002	
ANGLE +/- 30 min	
FRACTION +/- 1/32	
DRW NO: SF8-020B	SCALE: NOTED
SIZE: B	JOS NO: 725
	SHEET: 2 OF 3