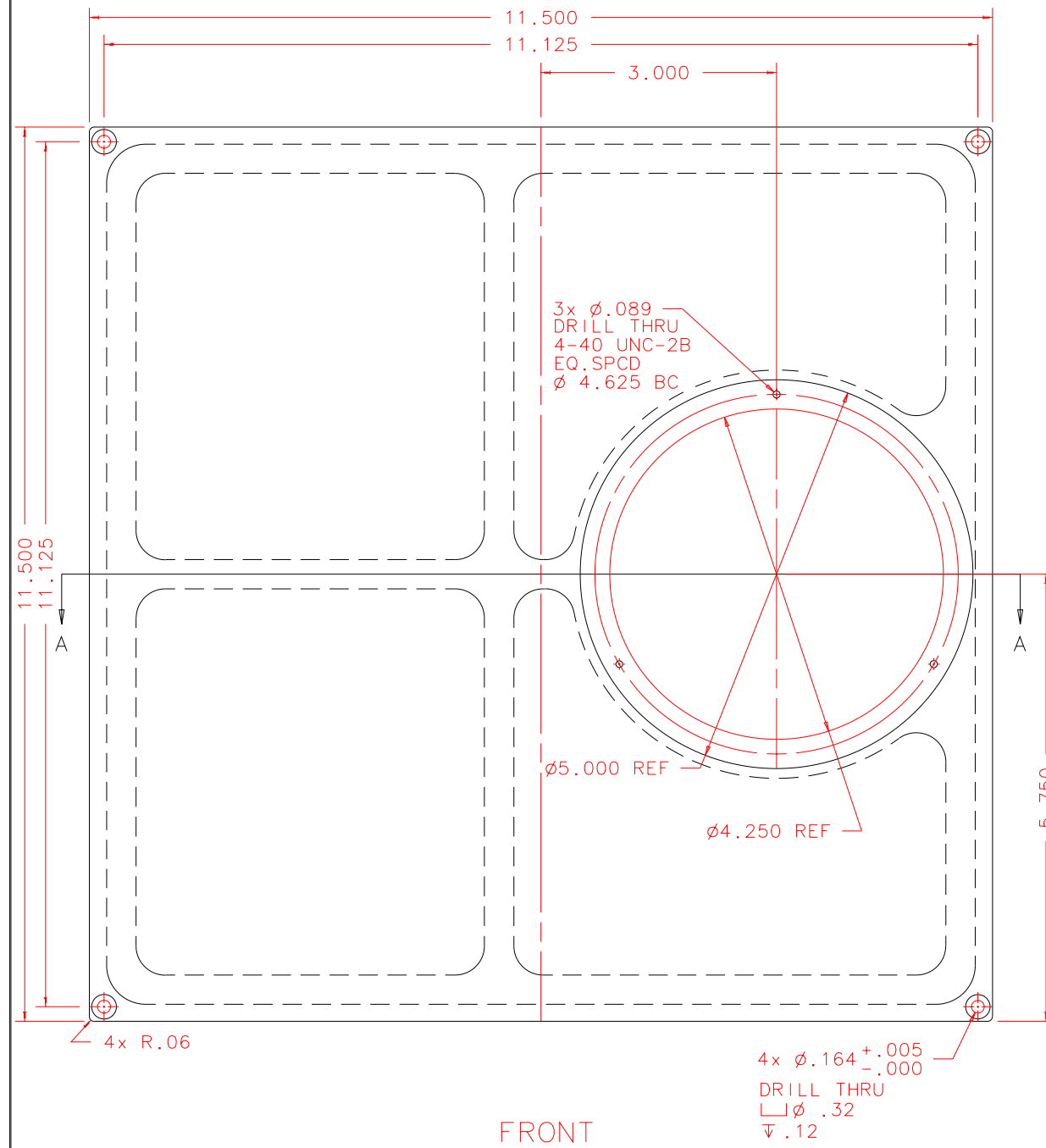
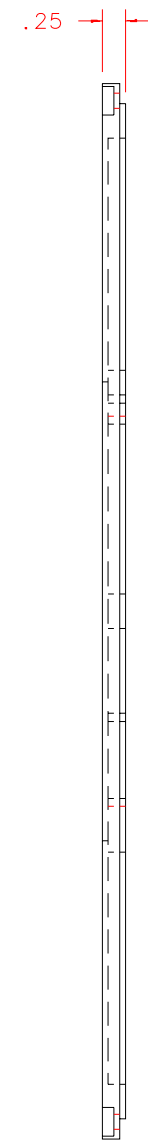


NOTES: UNLESS OTHERWISE NOTED
 1. MACHINED SURFACE ROUGHNESS 64
 O-RING GROOVES AND SURFACES 32
 2. REMOVE ALL BURRS/SHARP CORNERS

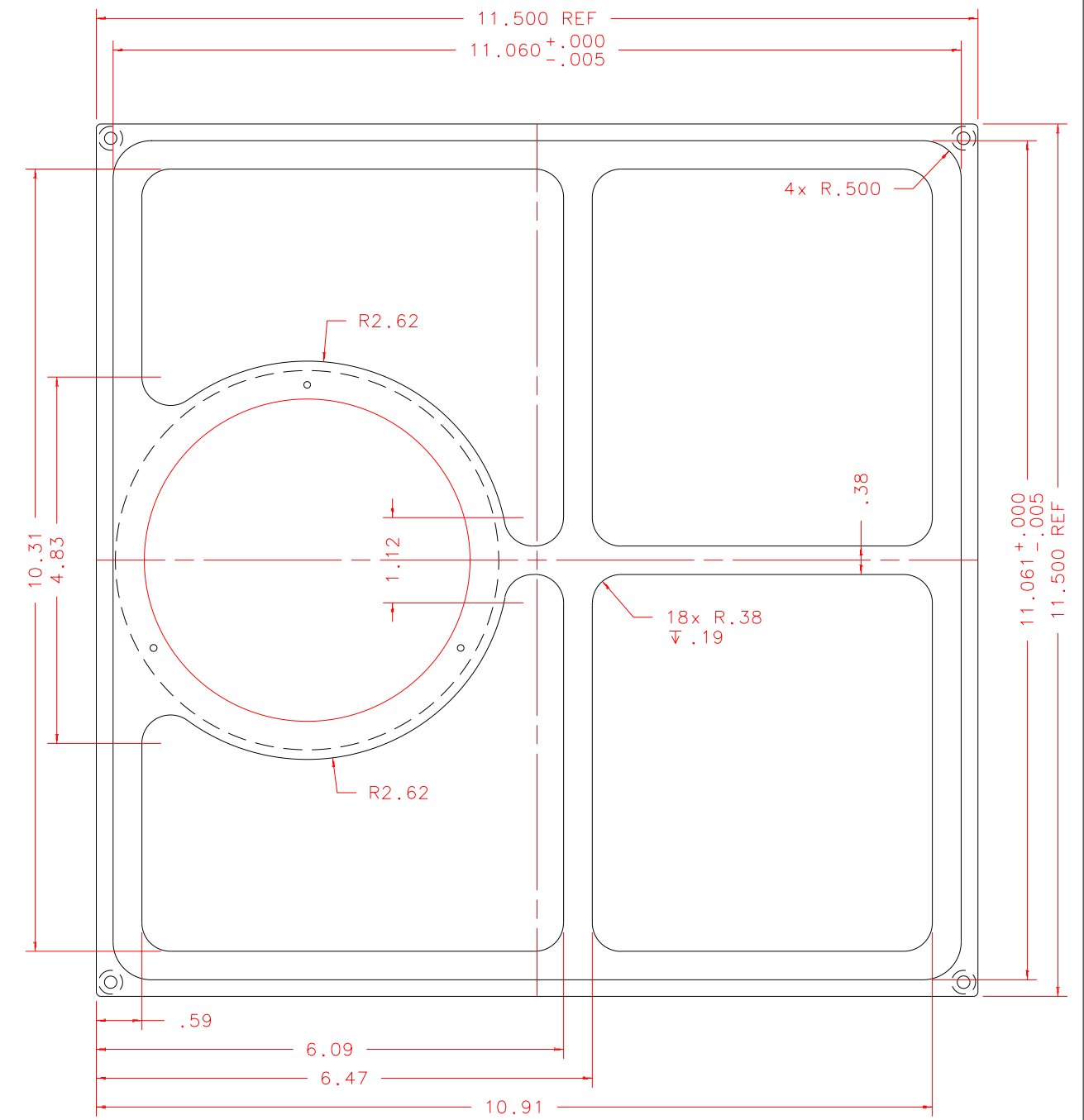
BILL OF MATERIAL				
NO.	REQ'D	REF DRW	DESCRIPTION	MATERIAL
N/A	1	SF8-021B	FRAME COVER PLATE	ALU 6061-T6



FRONT



RIGHT



BACK

PLOT: 10/19/99

SF8-001B	NEXT ASSY
----------	-----------

REVDATE: 09/08/99	REVISION: ADD MASS RED. POCKETS (BACK VIEW)
DATE: 12/24/98	REVISION: N/A
DESIGN: STAHLBERGER	INSTITUTE FOR ASTRONOMY
DRAWN: STAHLBERGER	2680 WOODLAWN DR. HONOLULU, HI 96822
APPR'D: J. RAYNER	INSTRUMENT: SPEX - CROSS DISPERSED SPECTROGRAPH
TOLERANCES	PART NAME: FRAME COVER PLATE
X.X +/- .015	TELESCOPE: IRTF
X.XX +/- .005	
X.XXX +/- .002	
ANGLE +/- 30 min	
FRACTION +/- 1/32	
DRW NO: SF8-021B	SCALE: 1:1
SIZE: B	JOS NO: 725
	SHEET: 1 OF 2