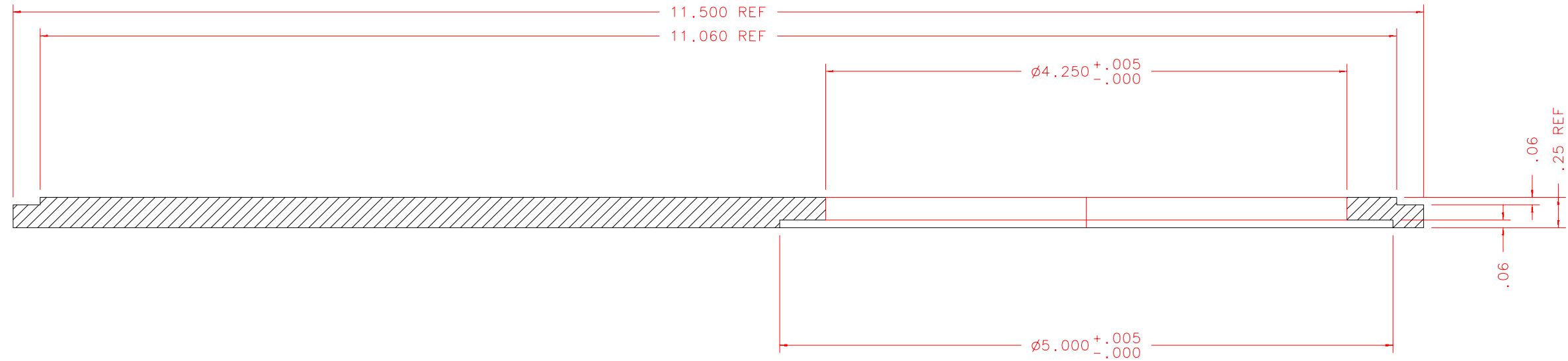
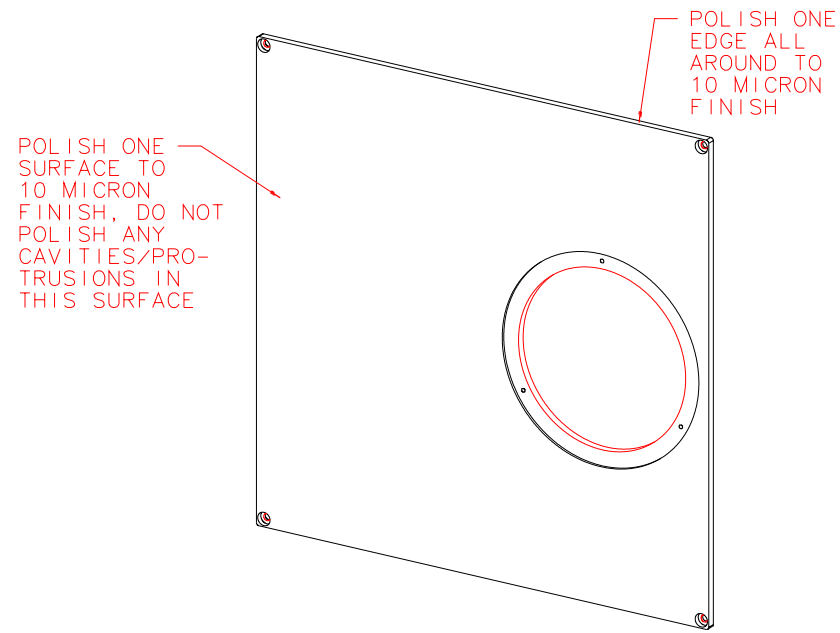


NOTES: UNLESS OTHERWISE NOTED
 1. MACHINED SURFACE ROUGHNESS 64
 O-RING GROOVES AND SURFACES 32
 2. REMOVE ALL BURRS/SHARP CORNERS

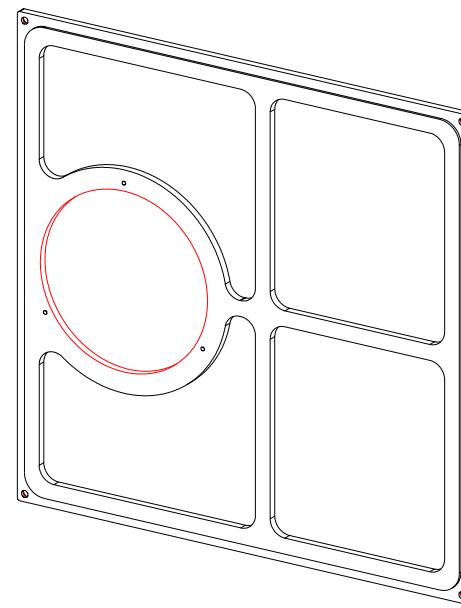
BILL OF MATERIAL				
NO.	REQ'D	REF DRW	DESCRIPTION	MATERIAL
N/A	1	SF8-021B	FRAME COVER PLATE	ALU 6061-T6



SECTION A-A: SCALE 1:1



ISOVIEW 5: SCALE 1:4



ISOVIEW 6: SCALE 1:4

REVDATE: 09/08/99	REVISION: ADD MASS RED. POCKETS (BACK VIEW)
REVDATE: N/A	REVISION: N/A
DATE: 12/24/98	INSTITUTE FOR ASTRONOMY
DESIGN: STAHLBERGER	2680 WOODLAWN DR. HONOLULU, HI 96822
DRAWN: STAHLBERGER	INSTRUMENT: SPEX - CROSS DISPERSED SPECTROGRAPH
APPR'D: J. RAYNER	PART NAME: FRAME COVER PLATE
TOLERANCES	
X.X	+/- .015
X.XX	+/- .005
X.XXX	+/- .002
ANGLE	+/- 30 min
FRACTION	+/- 1/32
DRW NO: SF8-021B	SCALE: 1:1
SIZE: B	JOS NO: 725
	SHEET: 2 OF 2

SF8-001B	
NEXT ASSY	