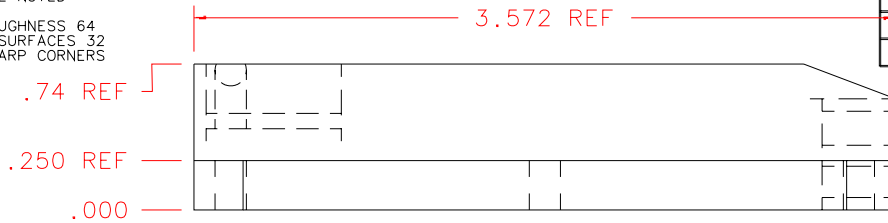


NOTES: UNLESS OTHERWISE NOTED

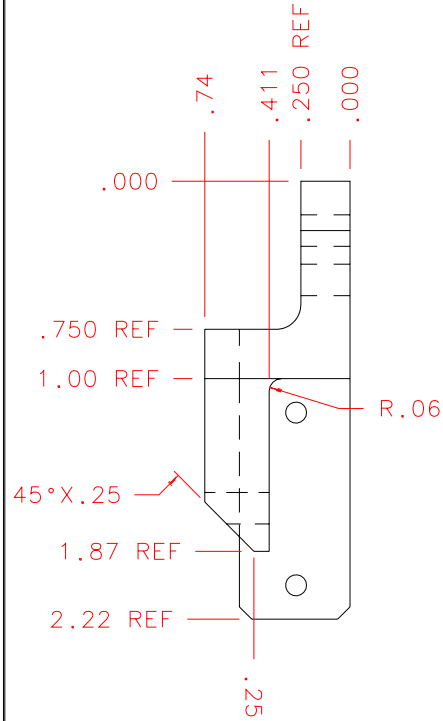
1. MACHINED SURFACE ROUGHNESS 64
O-RING GROOVES AND SURFACES 32
2. REMOVE ALL BURRS/SHARP CORNERS

BILL OF MATERIAL

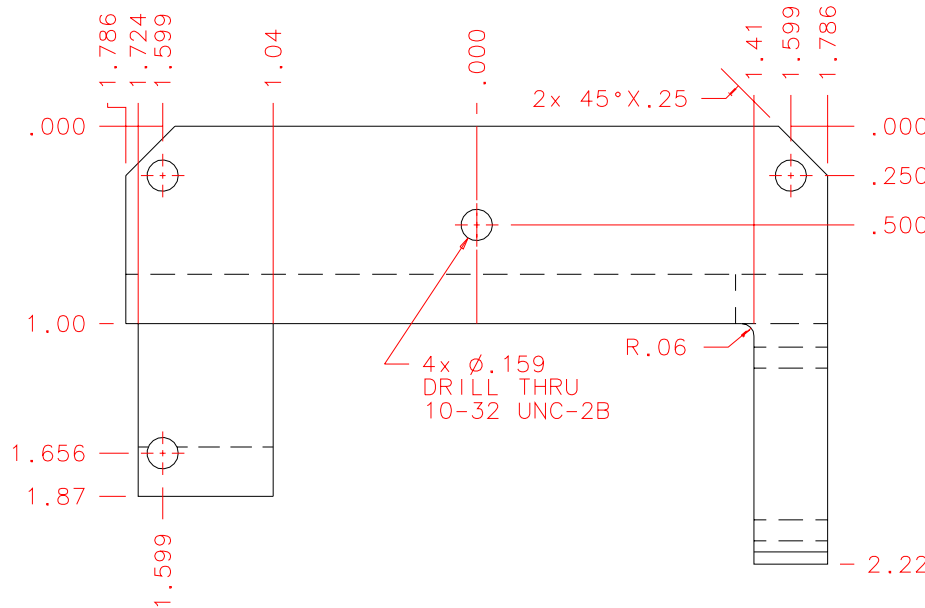
NO.	REQ'D	REF DRW	DESCRIPTION	MATERIAL
N/A	1	SF8-023A	HALL&DETENT SUPPORT	ALU 6061-T6



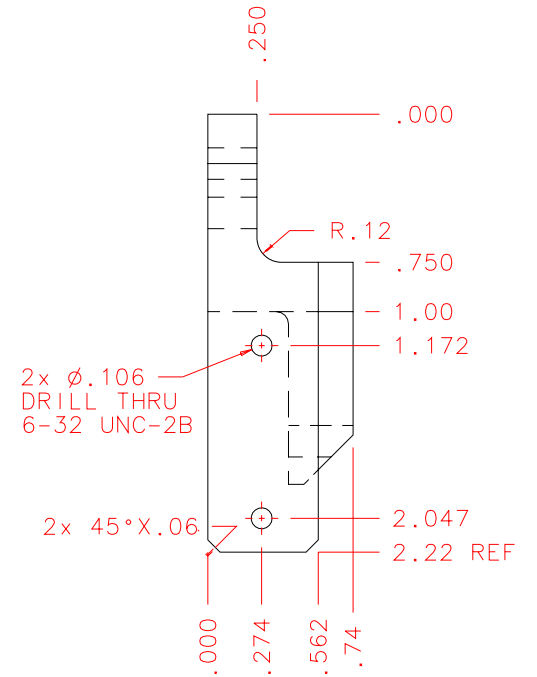
TOP: SCALE 1:1



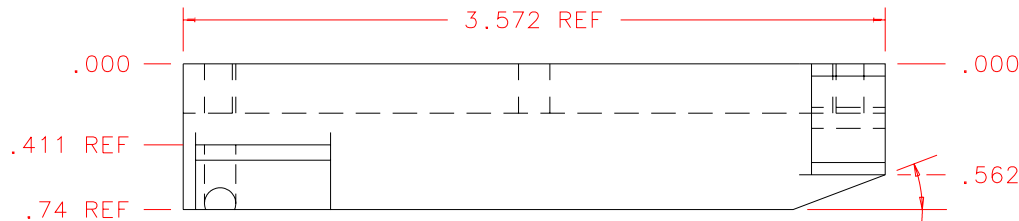
LEFT: SCALE 1:1



FRONT: SCALE 1:1



RIGHT: SCALE 1:1



BOTTOM: SCALE 1:1

20.6°

REVDATE: N/A	REVISION: N/A
DATE: 12/28/98	INSTITUTE FOR ASTRONOMY 2680 WOODLAWN DR. HONOLULU, HI 96822
DESIGN: STAHLBERGER	
DRAWN: STAHLBERGER	
APPR'D: J. RAYNER	
TOLERANCES	
X.X	+/- .015
X.XX	+/- .005
X.XXX	+/- .002
ANGLE	+/- 30 min
FRACTION	+/- 1/32
INSTRUMENT: SPEX - CROSS DISPERSED SPECTROGRAPH	
PART NAME: HALL&DETENT SUPPORT	
TELESCOPE: IRTF	
DRW NO: SF8-023A	SCALE: NOTED
SIZE: A	JOS NO: 725
SHEET: 1 OF 2	

PLOT: 10/19/99

SF8-001B
NEXT ASSY