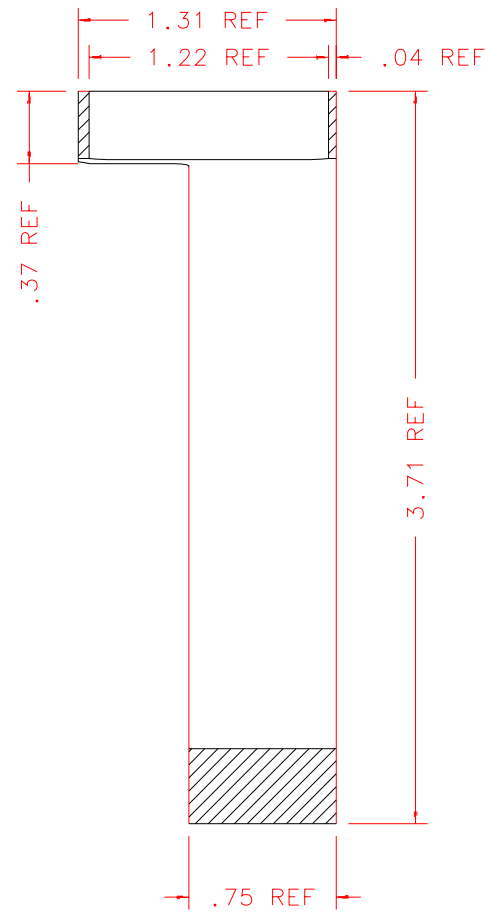
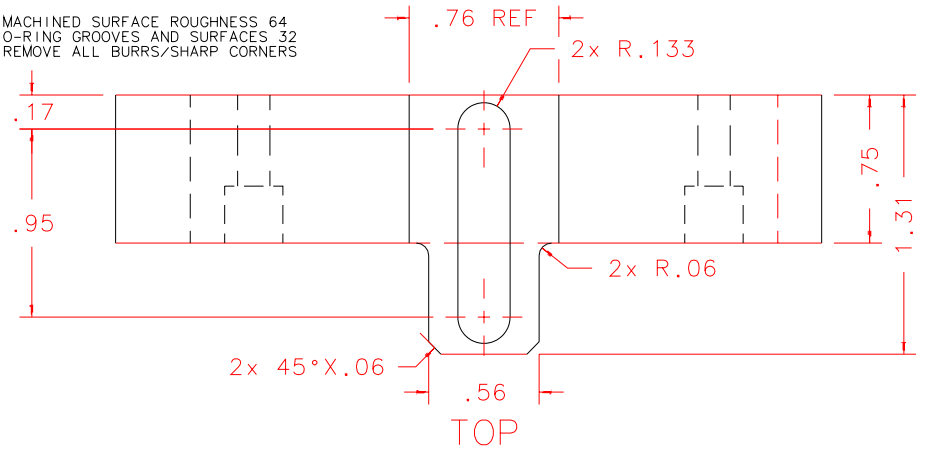


NOTES: UNLESS OTHERWISE NOTED

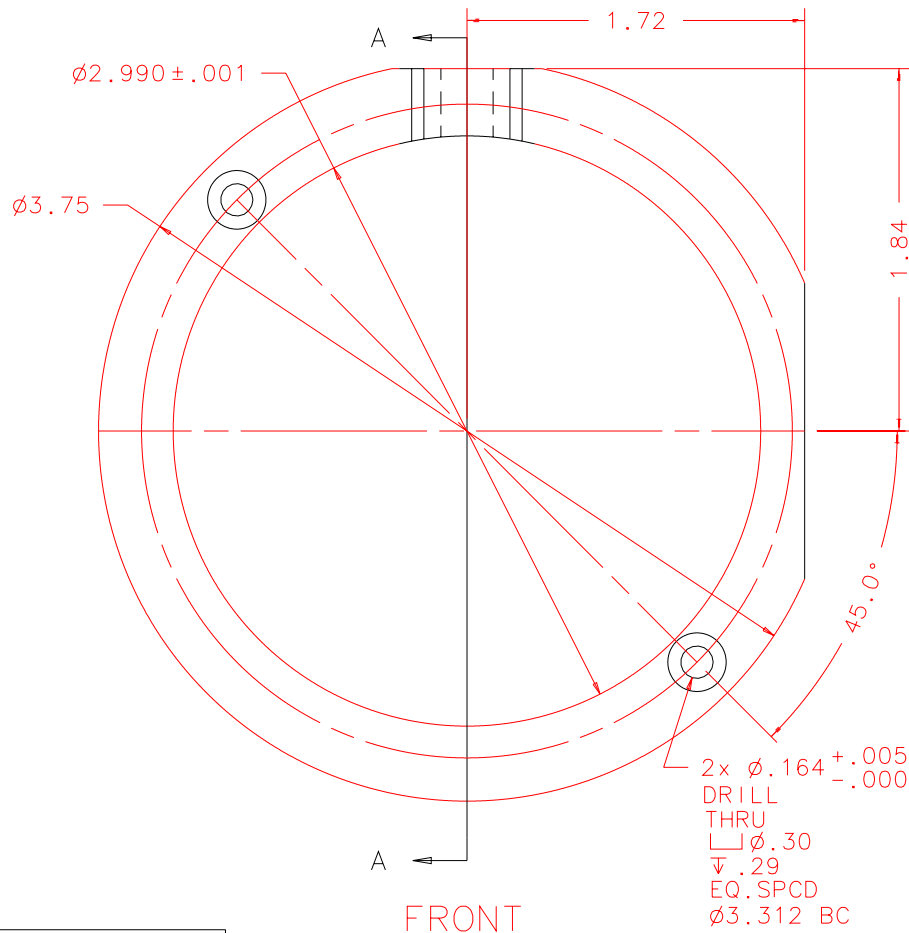
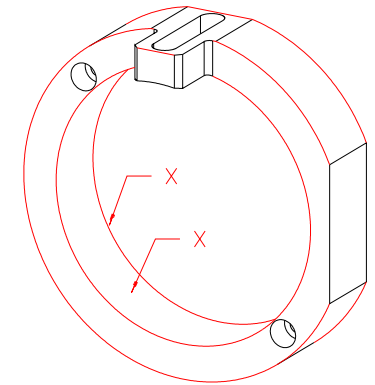
1. MACHINED SURFACE ROUGHNESS 64
O-RING GROOVES AND SURFACES 32
2. REMOVE ALL BURRS/SHARP CORNERS

BILL OF MATERIAL

NO.	REQ'D	REF DRW	DESCRIPTION	MATERIAL
N/A	1	SF8-032A	TRUSS MOUNT INTERFACE PLATE	ALU 6061-T6



POLISH ALL SURFACES EXCEPT THOSE MARKED X TO 10 MIC.FIN



SECTION A-A

ISOVIEW 4
SCALE 1:2

REVDATE: N/A	REVISION: N/A
DATE: 01/04/99	INSTITUTE FOR ASTRONOMY
DESIGN: STAHLBERGER	2680 WOODLAWN DR. HONOLULU, HI 96822
DRAWN: STAHLBERGER	INSTRUMENT: SPEX - CROSS DISPERSED SPECTROGRAPH
APPR'D: J. RAYNER	PART NAME: TRUSS MOUNT INTERFACE PLATE
TOLERANCES	
X.X	+/- .015
X.XX	+/- .005
X.XXX	+/- .002
ANGLE	+/- 30 min
FRACTION	+/- 1/32
TELESCOPE: IRTF	
SF8-001B	DRW NO: SF8-032A
NEXT ASSY	SCALE: 1:1
SIZE: A	JOS NO: 725
	SHEET: 1 OF 1

PLOT:10/19/99