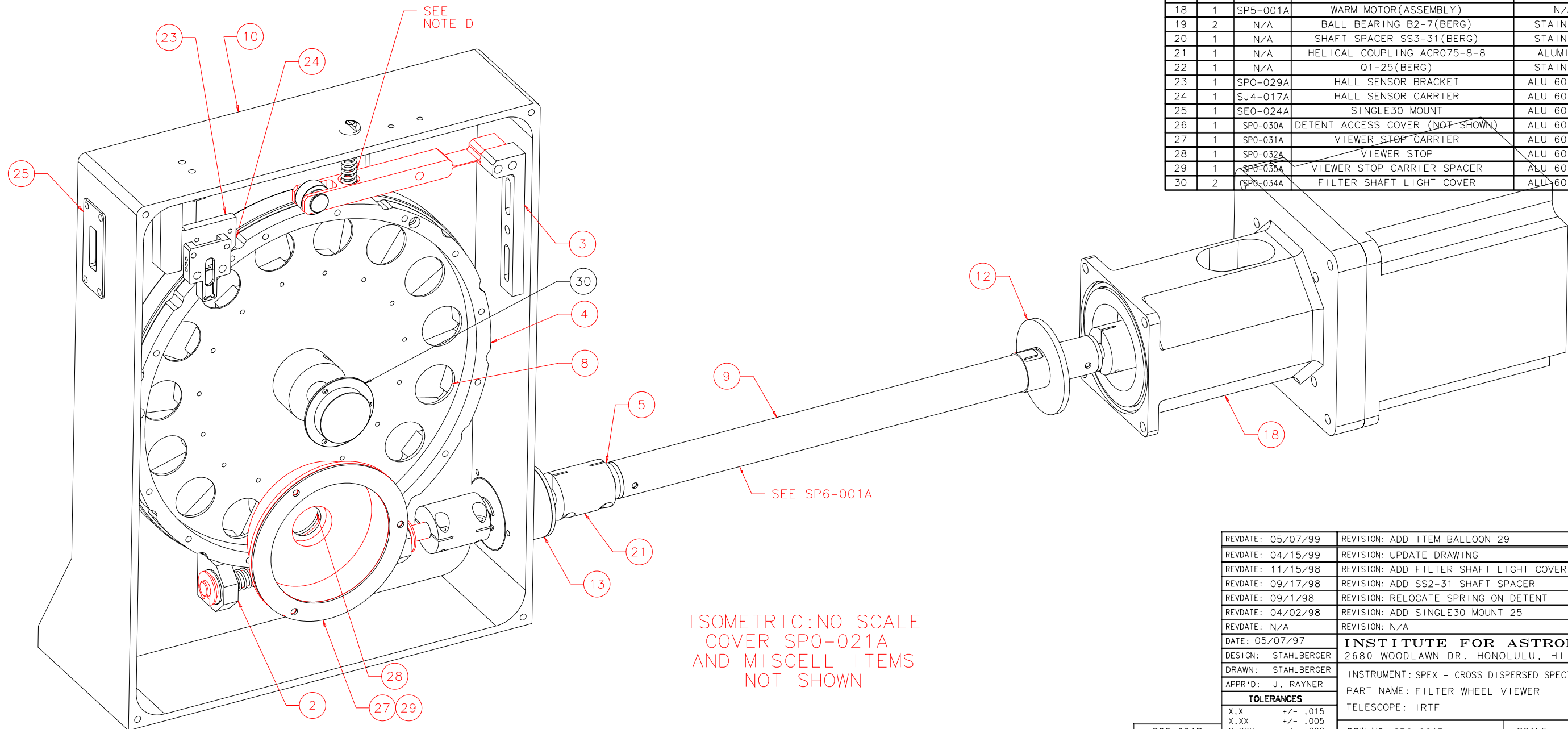


NOTES: UNLESS OTHERWISE NOTED
 1. MACHINED SURFACE ROUGHNESS 64
 O-RING GROOVES AND SURFACES 32
 2. REMOVE ALL BURRS/SHARP CORNERS

NOTES:

- A) EPOXY 29 TO 11
- B) EPOXY 28 TO 27
USE ECHOBOND
- C) ADJUST SPRING
FORCE AT ASSY
- D) USE VENTED SCREWS
AS NEEDED.



ISOMETRIC:NO SCALE
 COVER SP0-021A
 AND MISCELL ITEMS
 NOT SHOWN

BILL OF MATERIAL				
NO.	REQ'D	REF DRW	DESCRIPTION	MATERIAL
N/A	1	SP0-001B	FILTER WHEEL VIEWER	N/A
1	1	SP0-011A	ACCESS COVER(NOT SHOWN)	ALU 6061-T6
2	1	SP1-001A	COMPLIANT WORM(ASSEMBLY)	N/A
3	1	SP3-001A	DETENT(ASSEMBLY)	N/A
4	1	SP0-012A	DETENT RING	ALU 6061-T6
5	2	SP0-013A	END TRIM	ALU 6061-T6
6	1	N/A	FILTER ELEMENT	GLASS
7	15	SP0-016A	FILTER RETAINER	PHOS BRONZE
8	1	SP0-017B	FILTER WHEEL 3DEGTILT	BRONZE
9	1	SP0-019A	G-10 TUBE	G-10
10	1	SP0-020B	HOUSING	ALU 6061-T6
11	1	SP0-021A	HOUSING COVER(NOT SHOWN)	ALU 6061-T6
12	1	SP0-023A	LIGHT BAFFLE	ALU 6061-T6
13	1	SP4-001A	LIGHT SHIELD(ASSEMBLY)	N/A
14	N/A	N/A	N/AN	N/A
15	1	SP0-026A	SHAFT	STAINLESS 303
16	1	SP0-027A	SPACER BACK	ALU 6061-T6
17	1	SP0-028A	SPACER FRONT	ALU 6061-T6
18	1	SP5-001A	WARM MOTOR(ASSEMBLY)	N/A
19	2	N/A	BALL BEARING B2-7(BERG)	STAINLESS
20	1	N/A	SHAFT SPACER SS3-31(BERG)	STAINLESS
21	1	N/A	HELICAL COUPLING ACR075-8-8	ALUMINUM
22	1	N/A	Q1-25(BERG)	STAINLESS
23	1	SP0-029A	HALL SENSOR BRACKET	ALU 6061-T6
24	1	SJ4-017A	HALL SENSOR CARRIER	ALU 6061-T6
25	1	SE0-024A	SINGLE30 MOUNT	ALU 6061-T6
26	1	SP0-030A	DETENT ACCESS COVER (NOT SHOWN)	ALU 6061-T6
27	1	SP0-031A	VIEWER STOP CARRIER	ALU 6061-T6
28	1	SP0-032A	VIEWER STOP	ALU 6061-T6
29	1	SP0-033A	VIEWER STOP CARRIER SPACER	ALU 6061-T6
30	2	SP0-034A	FILTER SHAFT LIGHT COVER	ALU 6061-T6

REVDATE: 05/07/99	REVISION: ADD ITEM BALLOON 29
REVDATE: 04/15/99	REVISION: UPDATE DRAWING
REVDATE: 11/15/98	REVISION: ADD FILTER SHAFT LIGHT COVER
REVDATE: 09/17/98	REVISION: ADD SS2-31 SHAFT SPACER
REVDATE: 09/1/98	REVISION: RELOCATE SPRING ON DETENT
REVDATE: 04/02/98	REVISION: ADD SINGLE30 MOUNT 25
REVDATE: N/A	REVISION: N/A
DATE: 05/07/97	INSTITUTE FOR ASTRONOMY
DESIGN: STAHLBERGER	2680 WOODLAWN DR. HONOLULU, HI 96822
DRAWN: STAHLBERGER	INSTRUMENT: SPEX - CROSS DISPERSED SPECTROGRAPH
APPR'D: J. RAYNER	PART NAME: FILTER WHEEL VIEWER
TOLERANCES	
X.X	+/- .015
X.XX	+/- .005
X.XXX	+/- .002
ANGLE	+/- 30 min
FRACTION	+/- 1/32
DRW NO: SP0-001B	SCALE: 1:2
SIZE: B	JOS NO: 725
	SHEET: 1 OF 2

PLOT:10/19/99

S00-001B
 NEXT ASSY