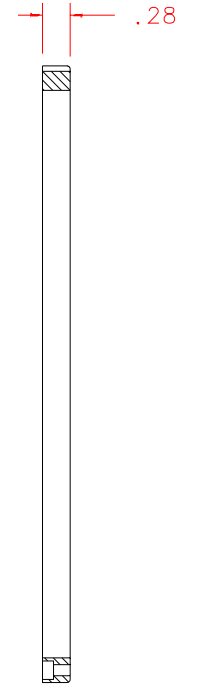
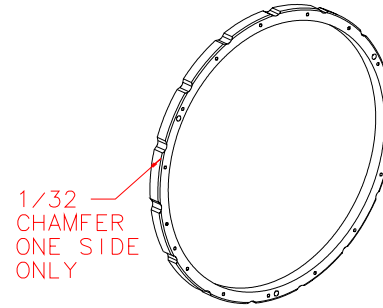
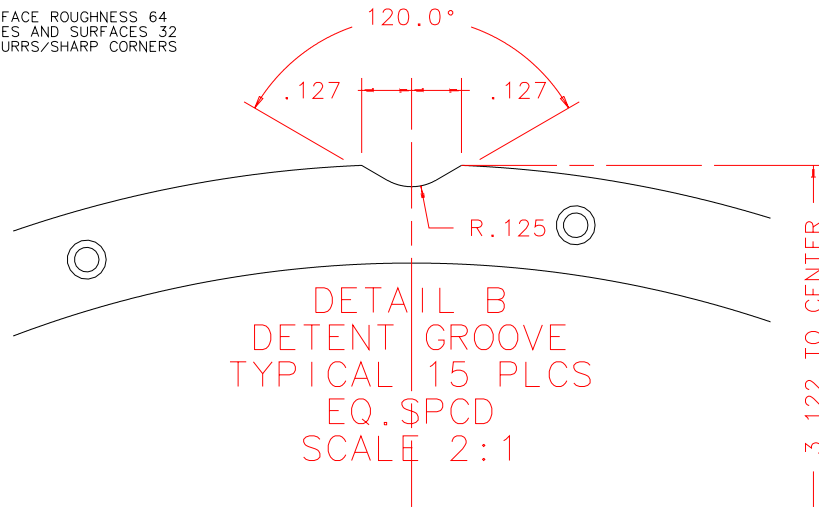


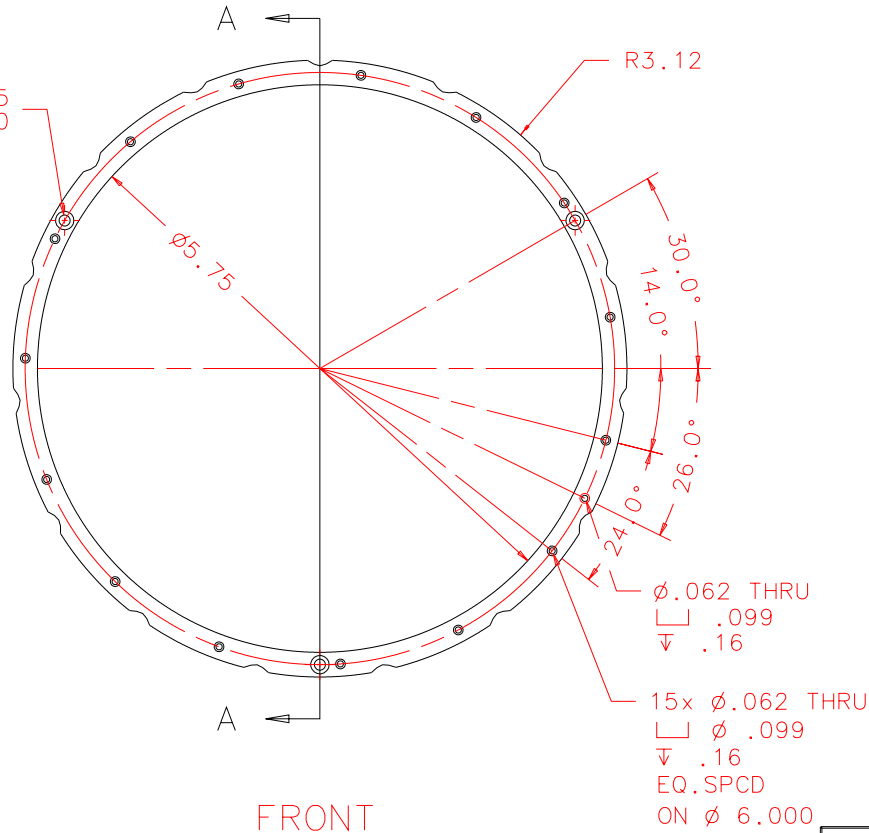
NOTES: UNLESS OTHERWISE NOTED

1. MACHINED SURFACE ROUGHNESS 64
O-RING GROOVES AND SURFACES 32
2. REMOVE ALL BURRS/SHARP CORNERS

BILL OF MATERIAL				
NO.	REQ'D	REF DRW	DESCRIPTION	MATERIAL
N/A	1	SPO-012A	DETENT RING	ALU 6061-T6



3x $\phi .112^{+.005}_{-.000}$
DRILL THRU
 $\square \phi .19$
 $\nabla .12$
EQ. SPCD
ON $\phi 6.000$



REVDATE: 09/18/98	REVISION: CHANGED DETENT PATTERN
REVDATE: 01/21/98	REVISION: ADD MISSING DIM R.125 DETAIL B
REVDATE: N/A	REVISION: N/A
DATE: 05/01/97	INSTITUTE FOR ASTRONOMY
DESIGN: STAHLBERGER	2680 WOODLAWN DR. HONOLULU, HI 96822
DRAWN: STAHLBERGER	INSTRUMENT: SPEX - CROSS DISPERSED SPECTROGRAPH
APPR'D: J. RAYNER	PART NAME: DETENT RING
TOLERANCES	
X.X	+/- .015
X.XX	+/- .005
X.XXX	+/- .002
ANGLE	+/- 30 min
FRACTION	+/- 1/32
TELESCOPE: IRTF	
DRW NO: SPO-012A	SCALE: 1:2
SIZE: A	JOS NO: 725
	SHEET: 1 OF 1

PLOT: 10/19/99

SPO-001B
NEXT ASSY