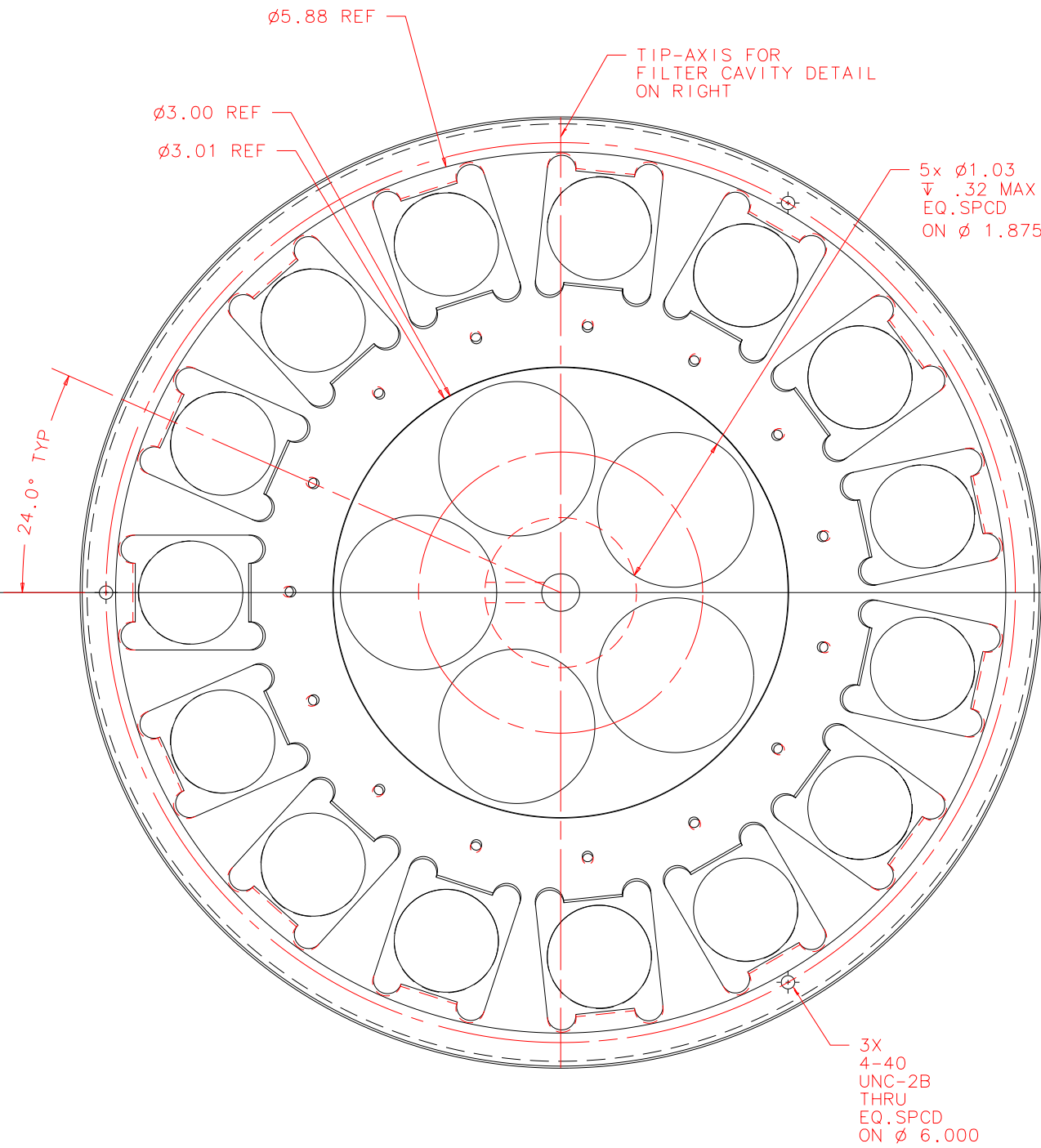


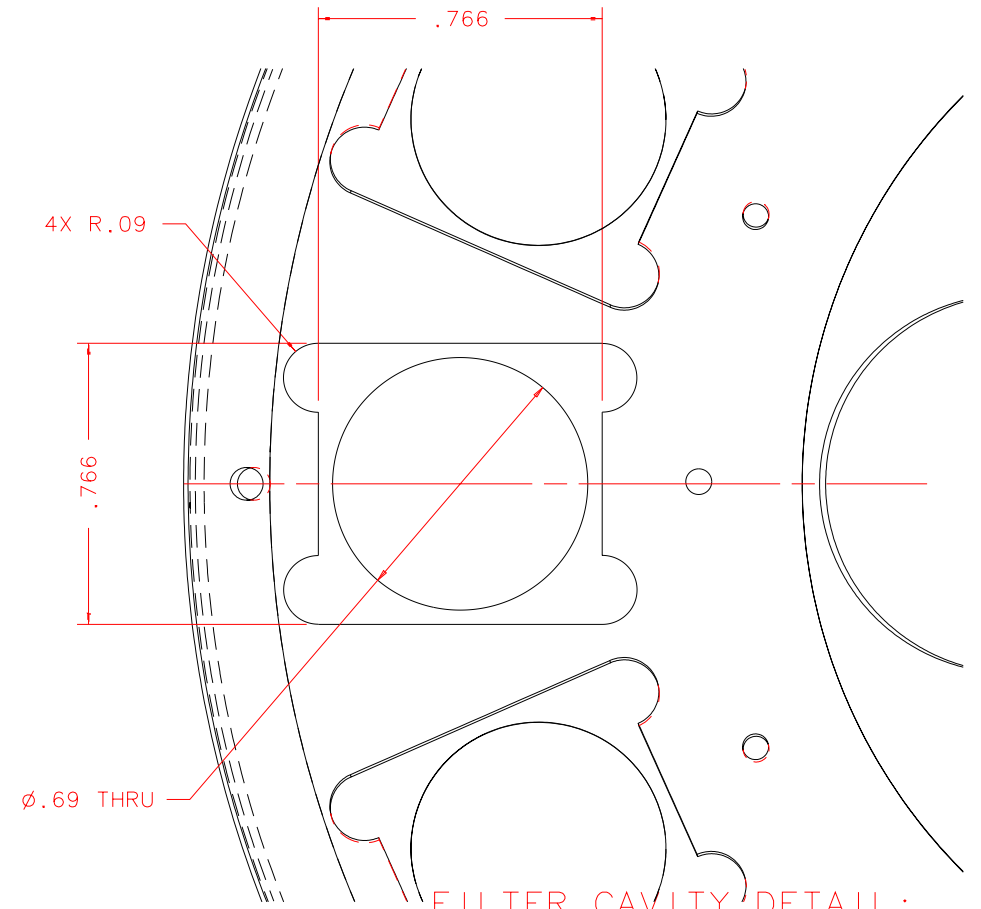
NOTES: UNLESS OTHERWISE NOTED
 1. MACHINED SURFACE ROUGHNESS 64
 O-RING GROOVES AND SURFACES 32
 2. REMOVE ALL BURRS/SHARP CORNERS

T10DIZE: GEAR
 PORTION ONLY

BILL OF MATERIAL				
NO.	REQ'D	REF DRW	DESCRIPTION	MATERIAL
N/A	1	SPO-017B	FILTER WHEEL 3DEGTILT	ALU 6061-T6



FRONT: SCALE 1:1



FILTER CAVITY DETAIL:
 TYPICAL 15 PLACES
 EQ. SPACED
 WHEEL TIPPED 3 DEG

GEAR DATA:
 CIRCULAR PITCH .1936
 HELIX ANGLE 5°43'
 PRESSURE ANGLE 14.5°
 NO OF TEETH 100
 PITCH 16

WORM GEAR IS IDENTICAL
 TO W.M.BERG PART NO
 W16B37-S100

REVDATE: 01/15/99	REVISION: CHANG'D MAT. TOALU, MAKE CUSTOM
REVDATE: 02/25/98	REVISION: ADD 5 MASS REDUCING HOLES
REVDATE: N/A	REVISION: N/A
DATE: 05/02/97	INSTITUTE FOR ASTRONOMY
DESIGN: STAHLBERGER	2680 WOODLAWN DR. HONOLULU, HI 96822
DRAWN: STAHLBERGER	INSTRUMENT: SPEX - CROSS DISPERSED SPECTROGRAPH
APPR'D: J. RAYNER	PART NAME: FILTER WHEEL 3DEGTILT
TOLERANCES	
X.X	+/- .015
X.XX	+/- .005
X.XXX	+/- .002
ANGLE	+/- 30 min
FRACTION	+/- 1/32

SPO-001B	DRW NO: SPO-017B	SCALE: NOTED
NEXT ASSY	SIZE: B	JOS NO: 725
		SHEET: 1 OF 2