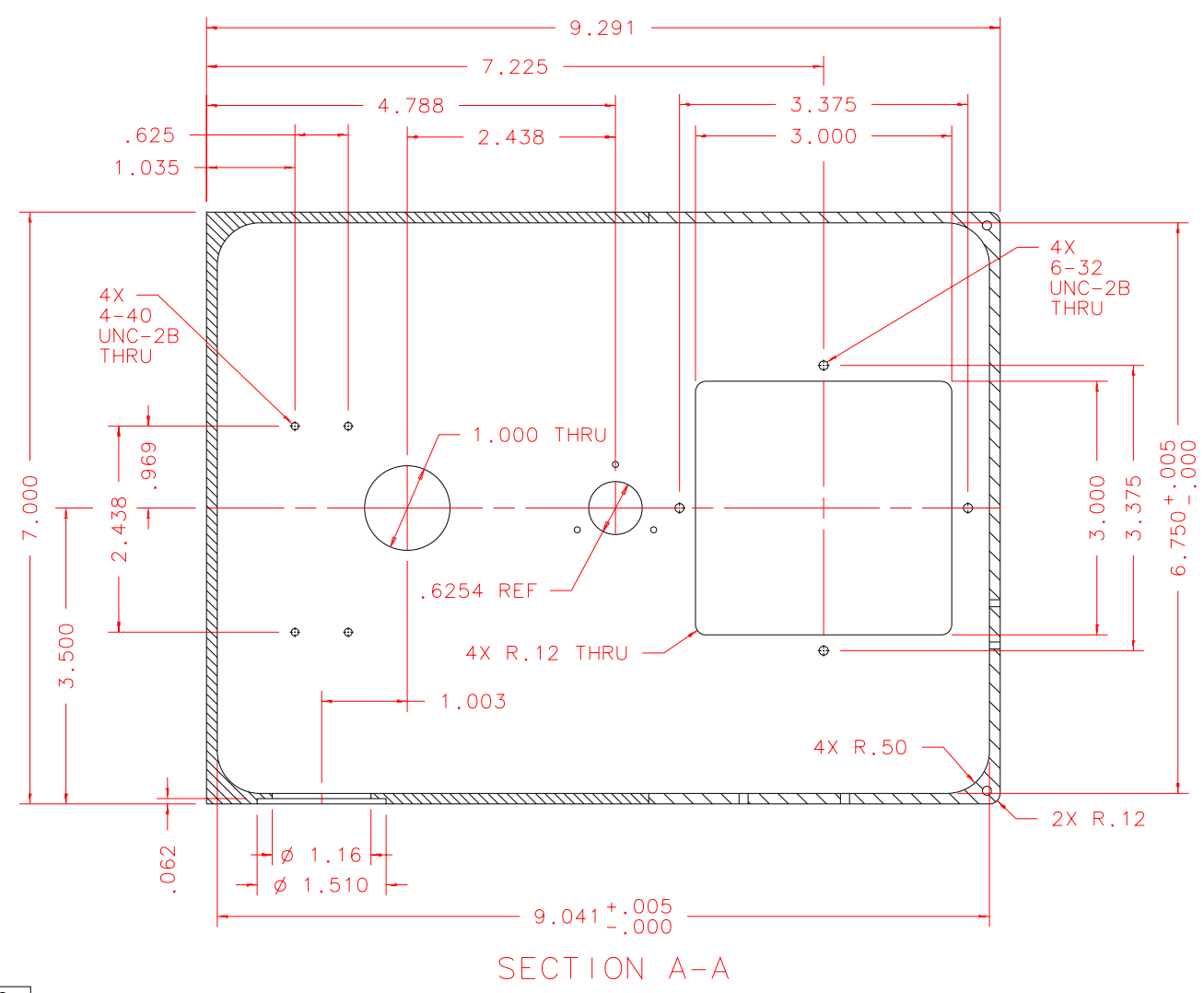
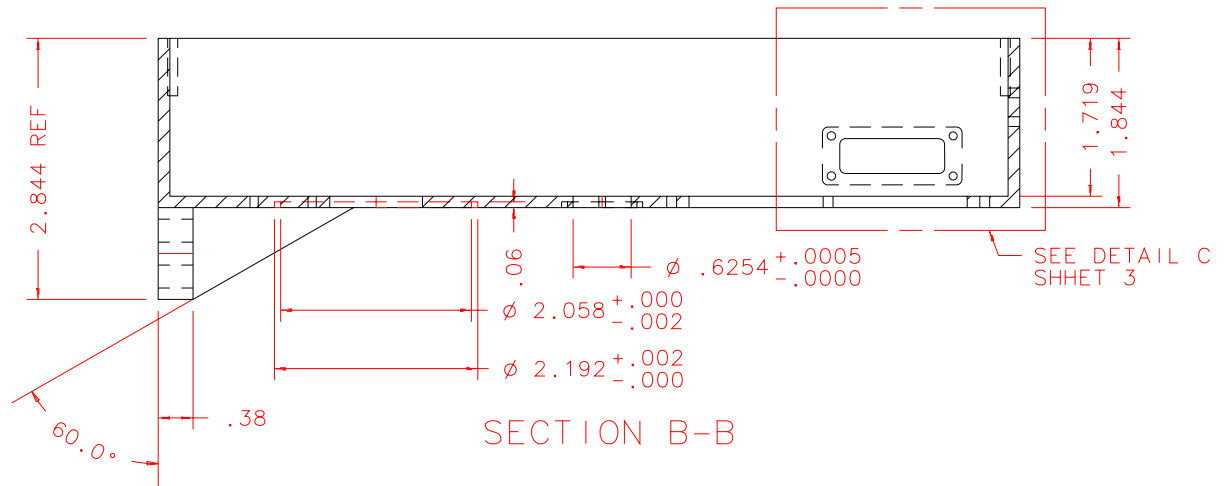


NOTES: UNLESS OTHERWISE NOTED  
 1. MACHINED SURFACE ROUGHNESS 64  
 O-RING GROOVES AND SURFACES 32  
 2. REMOVE ALL BURRS/SHARP CORNERS

BILL OF MATERIAL				
NO.	REQ'D	REF DRW	DESCRIPTION	MATERIAL
N/A	1	SPO-020B	HOUSING	ALU 6061-T6



REVDATE: 11/15/98	REVISION: ADD SECT.C-C AND BOLTPAT.TOP VIEW
REVDATE: 09/25/98	REVISION: ADD 8-32 FOR DETENT SPRING
REVDATE: 02/10/98	REVISION: ADD CIRCULAR GROOVE IN SECTION B
REVDATE: 12/29/97	REVISION: ADDED DETAIL C
REVDATE: 10/27/97	REVISION: ADDED CUTOUT 3.31 WIDE
REVDATE: N/A	REVISION: N/A
DATE: 05/05/97	<b>INSTITUTE FOR ASTRONOMY</b>
DESIGN: STAHLBERGER	2680 WOODLAWN DR. HONOLULU, HI 96822
DRAWN: STAHLBERGER	INSTRUMENT: SPEX - CROSS DISPERSED SPECTROGRAPH
APPR'D: J. RAYNER	PART NAME: HOUSING
<b>TOLERANCES</b>	
X.X	+/- .015
X.XX	+/- .005
X.XXX	+/- .002
ANGLE	+/- 30 min
FRACTION	+/- 1/32
DRW NO: SPO-020B	SCALE: 1:2
SIZE: B	JOS NO: 725
	SHEET: 2 OF 3

PLOT: 10/19/99

SPO-001B  
 NEXT ASSY