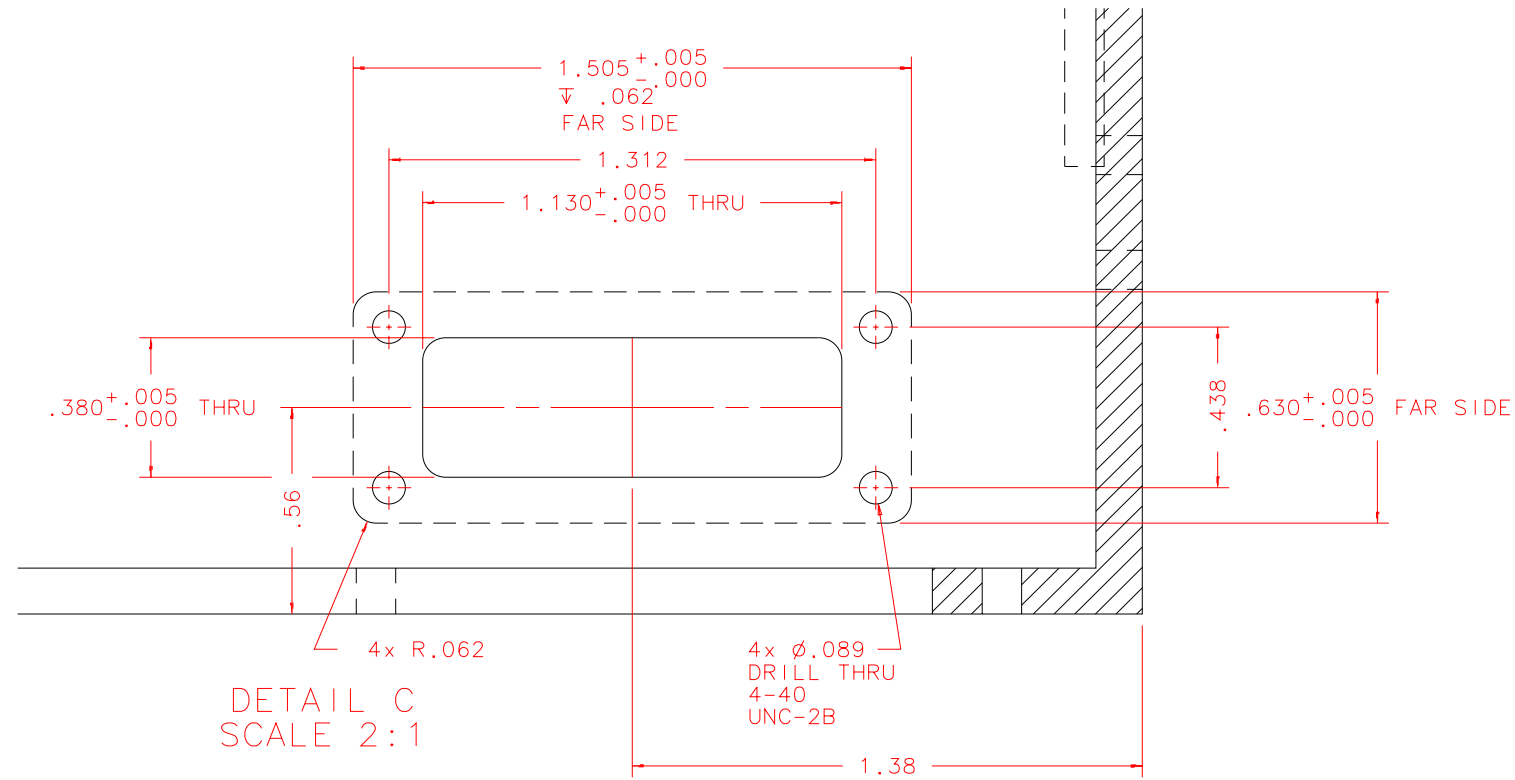
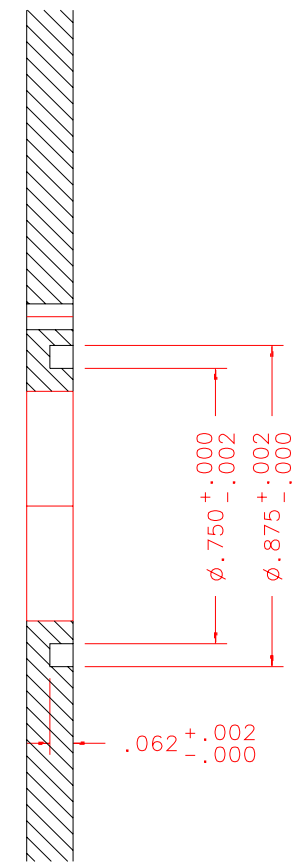


NOTES: UNLESS OTHERWISE NOTED
 1. MACHINED SURFACE ROUGHNESS 64
 O-RING GROOVES AND SURFACES 32
 2. REMOVE ALL BURRS/SHARP CORNERS

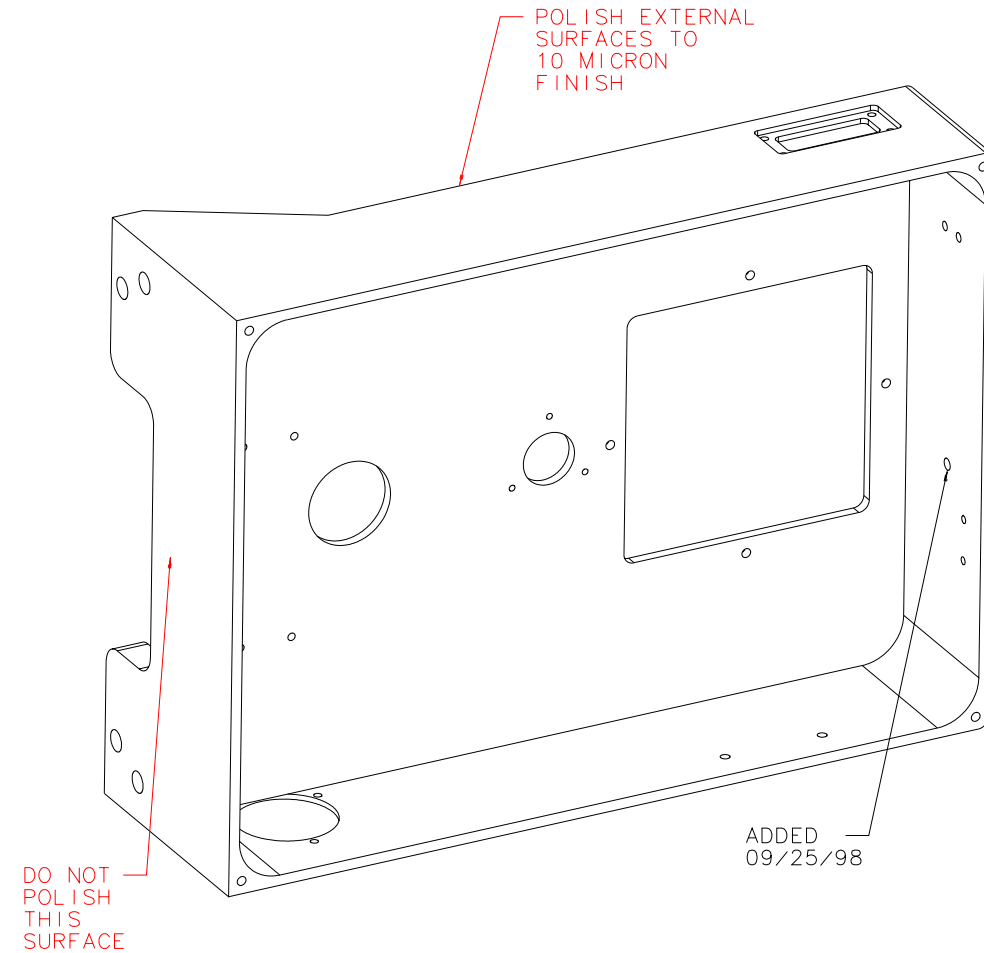
BILL OF MATERIAL				
NO.	REQ'D	REF DRW	DESCRIPTION	MATERIAL
N/A	1	SPO-020B	HOUSING	ALU 6061-T6



DETAIL C
SCALE 2:1



SECTION C-C: SCALE 2:1



ISOMETRIC

REVDATE: 11/15/98	REVISION: ADD SECT.C-C AND BOLTPAT.TOP VIEW
REVDATE: 09/25/98	REVISION: ADD 8-32 FOR DETENT SPRING
REVDATE: 02/10/98	REVISION: ADD CIRCULAR GROOVE IN SECTION B
REVDATE: 12/29/97	REVISION: ADDED DETAIL C
REVDATE: 10/27/97	REVISION: ADDED CUTOUT 3.31 WIDE
REVDATE: N/A	REVISION: N/A
DATE: 05/05/97	INSTITUTE FOR ASTRONOMY
DESIGN: STAHLBERGER	2680 WOODLAWN DR. HONOLULU, HI 96822
DRAWN: STAHLBERGER	INSTRUMENT: SPEX - CROSS DISPERSED SPECTROGRAPH
APPR'D: J. RAYNER	PART NAME: HOUSING
TOLERANCES	TELESCOPE: IRTF
X.X +/- .015	
X.XX +/- .005	
X.XXX +/- .002	
ANGLE +/- 30 min	
FRACTION +/- 1/32	
DRW NO: SPO-020B	SCALE: 1:2
SIZE: B	JOS NO: 725
	SHEET: 3 OF 3

SPO-001B	NEXT ASSY
----------	-----------