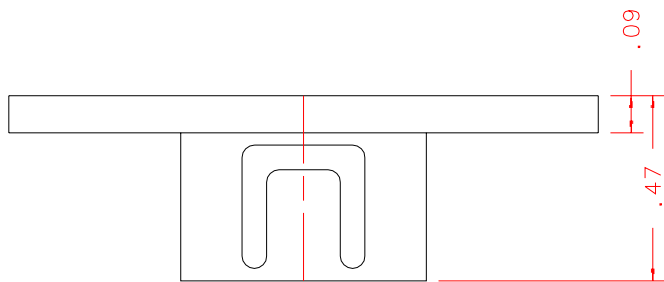


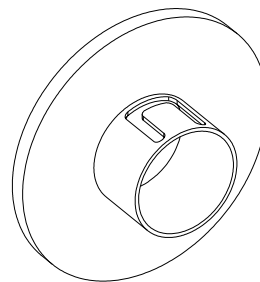
NOTES: UNLESS OTHERWISE NOTED

1. MACHINED SURFACE ROUGHNESS 64
2. O-RING GROOVES AND SURFACES 32
3. REMOVE ALL BURRS/SHARP CORNERS

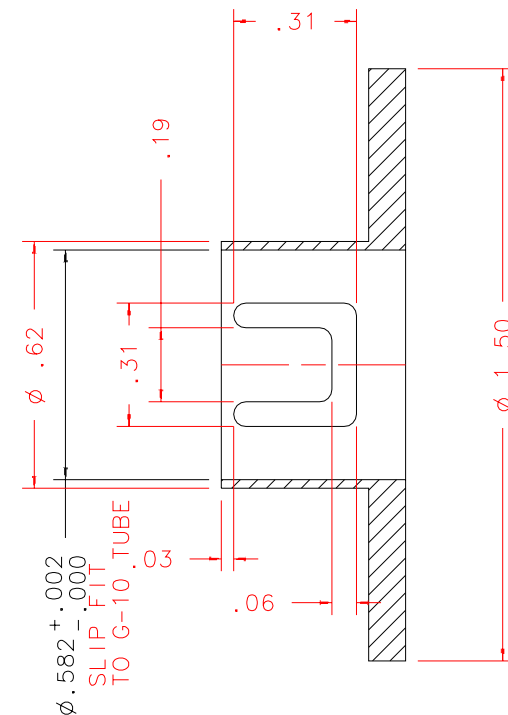
BILL OF MATERIAL				
NO.	REQ'D	REF DRW	DESCRIPTION	MATERIAL
N/A	1	SPO-023A	LIGHT BAFFLE	ALU 6061-T6



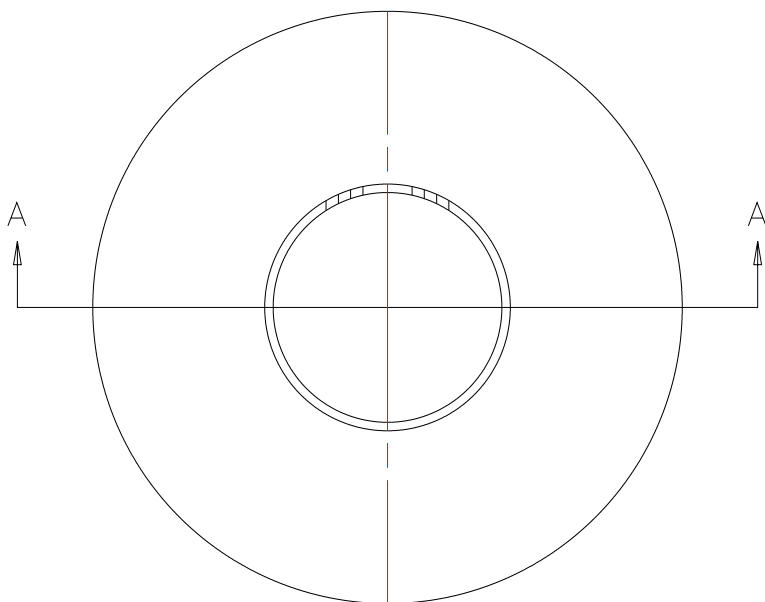
TOP



FULL SCALE



SECTION A-A



FRONT

REVDATE: 11/13/98	REVISION: DIA .582 WAS .579
REVDATE: N/A	REVISION: N/A
DATE: 05/05/97	INSTITUTE FOR ASTRONOMY 2680 WOODLAWN DR. HONOLULU, HI 96822
DESIGN: STAHLBERGER	
DRAWN: STAHLBERGER	INSTRUMENT: SPEX - CROSS DISPERSED SPECTROGRAPH
APPR'D: J. RAYNER	PART NAME: LIGHT BAFFLE
TOLERANCES	
X.X	+/- .015
X.XX	+/- .005
X.XXX	+/- .002
ANGLE	+/- 30 min
FRACTION	+/- 1/32
DRW NO: SPO-023A	SCALE: 2:1
SIZE: A	JOS NO: 725
SHEET: 1 OF 1	

PLOT:10/19/99

SPO-001B
NEXT ASSY