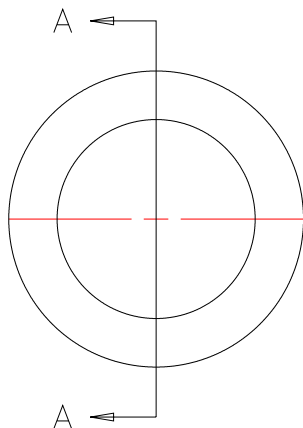


NOTES: UNLESS OTHERWISE NOTED

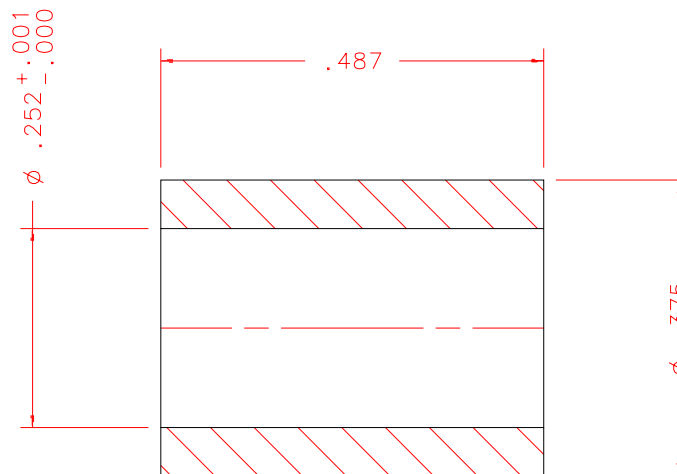
1. MACHINED SURFACE ROUGHNESS 64
O-RING GROOVES AND SURFACES 32
2. REMOVE ALL BURRS/SHARP CORNERS

BILL OF MATERIAL

NO.	REQ'D	REF DRW	DESCRIPTION	MATERIAL
N/A	1	SPO-028A	SPACER FRONT	ALU 6061-T6



FRONT



SECTION A-A

PLOT: 10/19/99

SPO-001B
NEXT ASSY

REVDATE: N/A	REVISION: N/A
DATE: 05/07/97	INSTITUTE FOR ASTRONOMY 2680 WOODLAWN DR. HONOLULU, HI 96822
DESIGN: STAHLBERGER	
DRAWN: STAHLBERGER	INSTRUMENT: SPEX - CROSS DISPERSED SPECTROGRAPH
APPR'D: J. RAYNER	PART NAME: SPACER FRONT
TOLERANCES	
X.X +/- .015	TELESCOPE: IRTF
X.XX +/- .005	
X.XXX +/- .002	DRW NO: SPO-028A
ANGLE +/- 30 min	SCALE: 4:1
FRACTION +/- 1/32	SIZE: A
	JOS NO: 725
	SHEET: 1 OF 1