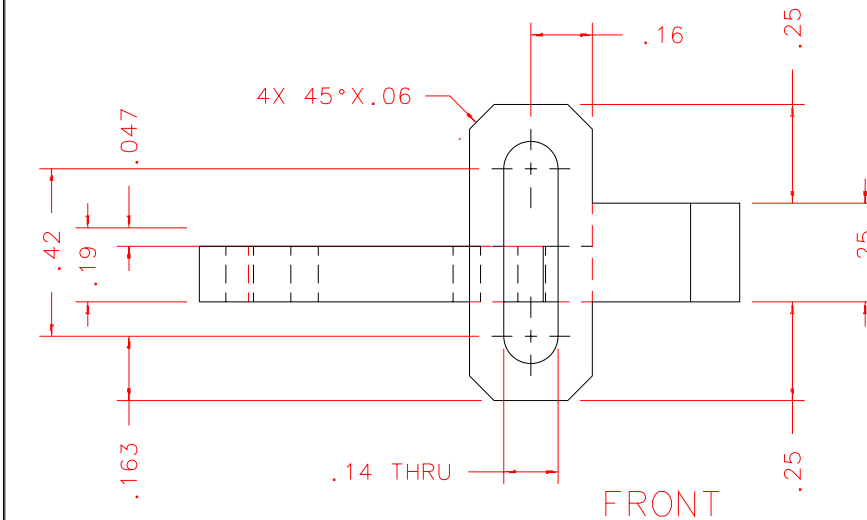
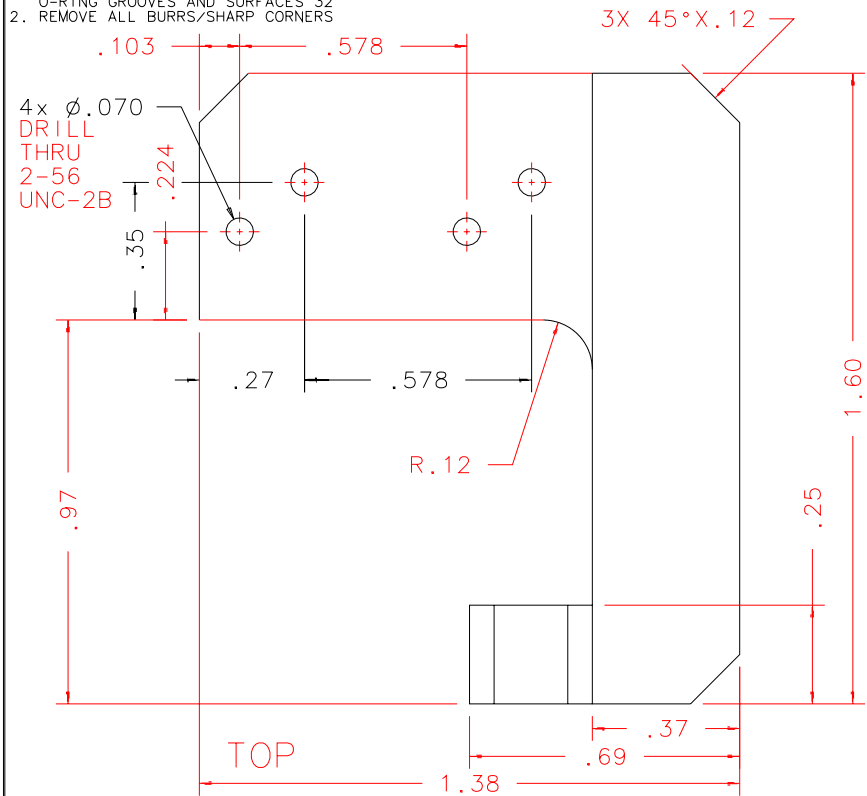
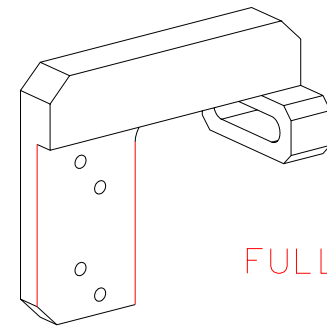


NOTES: UNLESS OTHERWISE NOTED

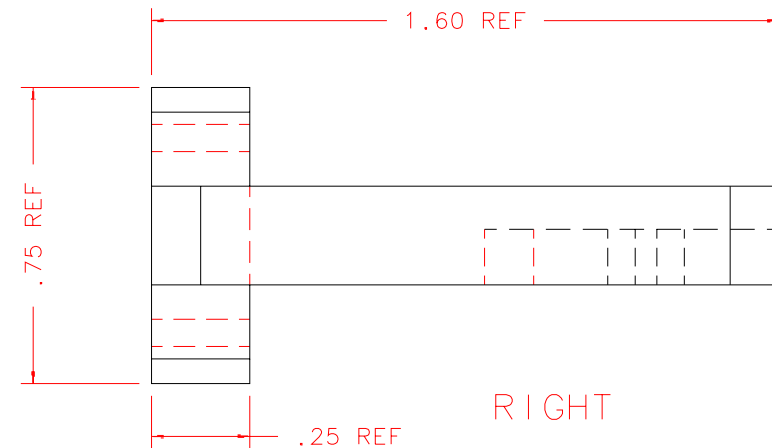
1. MACHINED SURFACE ROUGHNESS 64  
O-RING GROOVES AND SURFACES 32
2. REMOVE ALL BURRS/SHARP CORNERS



BILL OF MATERIAL				
NO.	REQ'D	REF DRW	DESCRIPTION	MATERIAL
N/A	1	SPO-029A	HALL SENSOR BRACKET	ALU 6061-T6



FULL SCALE



REVDATE: 09/18/98	REVISION: MOD AS P/DRAWING
REVDATE: N/A	REVISION: N/A
DATE: 07/30/97	<b>INSTITUTE FOR ASTRONOMY</b>
DESIGN: STAHLBERGER	2680 WOODLAWN DR. HONOLULU, HI 96822
DRAWN: STAHLBERGER	INSTRUMENT: SPEX - CROSS DISPERSED SPECTROGRAPH
APPR'D: J. RAYNER	PART NAME: HALL SENSOR BRACKET
	TELESCOPE: IRTF
<b>TOLERANCES</b>	
X.X	+/- .015
X.XX	+/- .005
X.XXX	+/- .002
ANGLE	+/- 30 min
FRACTION	+/- 1/32
SPO-001B	DRW NO: SPO-029A
NEXT ASSY	SCALE: 2:1
	SIZE: A
	JOS NO: 725
	SHEET: 1 OF 1

PLOT:10/19/99