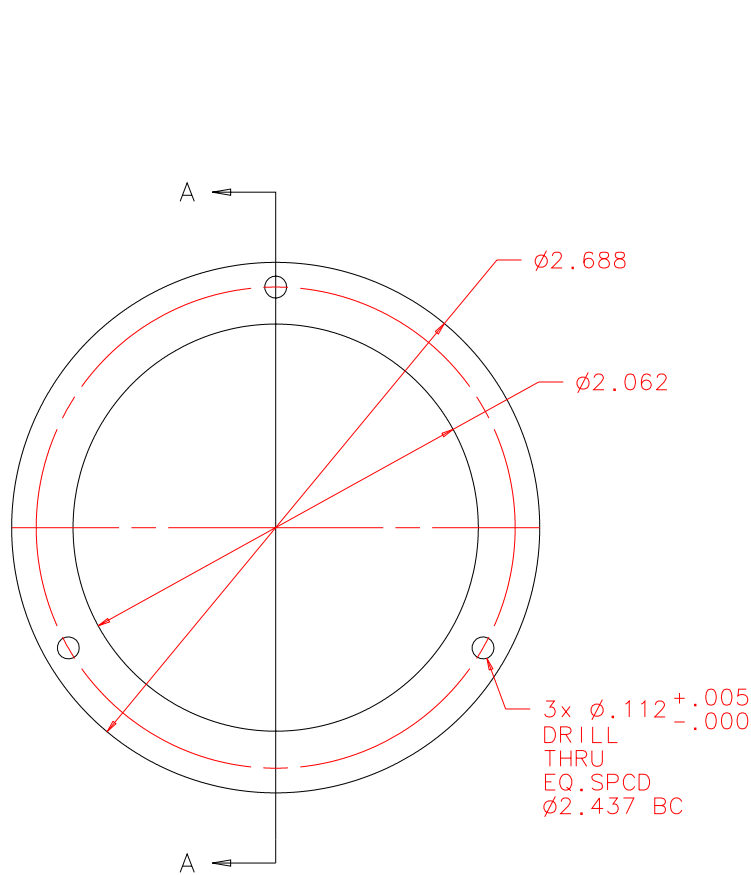


NOTES: UNLESS OTHERWISE NOTED

1. MACHINED SURFACE ROUGHNESS 64  
O-RING GROOVES AND SURFACES 32
2. REMOVE ALL BURRS/SHARP CORNERS

BILL OF MATERIAL

| NO. | REQ'D | REF DRW | DESCRIPTION                | MATERIAL    |
|-----|-------|---------|----------------------------|-------------|
| N/A | 1     | SPO-035 | VIEWER STOP CARRIER SPACER | ALU 6061-T6 |



.038  
 THIS DIM  
 DEPENDANT  
 ON PRESENT  
 SPACING IN  
 FWV ASSY  
 SPO-001B

SECTION A-A

FRONT

|                     |   |
|---------------------|---|
| REVDATE: N/A        | REVISION: N/A                                   |
| DATE: 05/07/99      | <b>INSTITUTE FOR ASTRONOMY</b>                  |
| DESIGN: STAHLBERGER | 2680 WOODLAWN DR. HONOLULU, HI 96822            |
| DRAWN: STAHLBERGER  | INSTRUMENT: SPEX - CROSS DISPERSED SPECTROGRAPH |
| APPR'D: J. RAYNER   | PART NAME: VIEWER STOP CARRIER SPACER           |
| <b>TOLERANCES</b>   |   |
| X.X                 | +/- .015  |
| X.XX                | +/- .005  |
| X.XXX               | +/- .002  |
| ANGLE               | +/- 30 min                                      |
| FRACTION            | +/- 1/32  |
| DRW NO: SPO-035     | SCALE: 1:1                                      |
| SIZE: A             | JOS NO: 725                                     |
| SHEET: 1 OF 1       |   |

PLOT: 10/19/99

|           |
|-----------|
| SPO-001B  |
| NEXT ASSY |