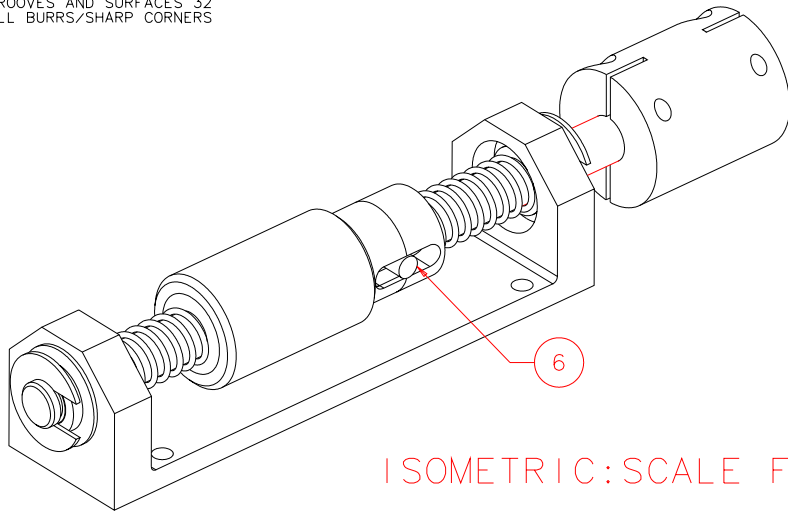


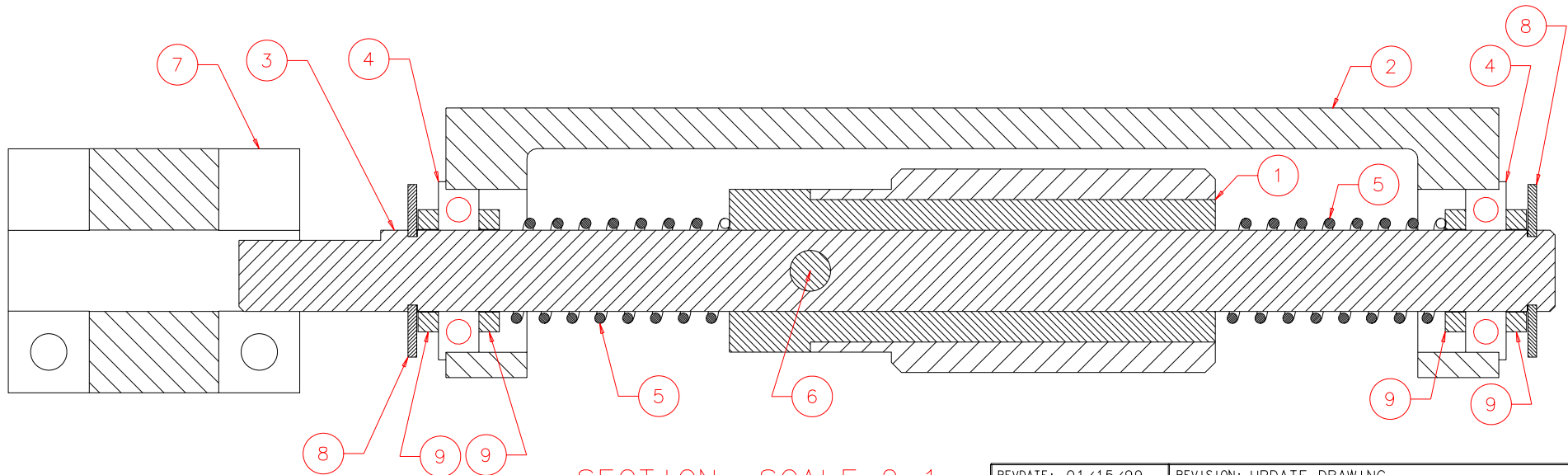
NOTES: UNLESS OTHERWISE NOTED

1. MACHINED SURFACE ROUGHNESS 64
O-RING GROOVES AND SURFACES 32
2. REMOVE ALL BURRS/SHARP CORNERS



ISOMETRIC: SCALE FULL

BILL OF MATERIAL				
NO.	REQ'D	REF DRW	DESCRIPTION	MATERIAL
N/A	1	SP1-001A	COMPLIANT WORM	N/A
1	1	SP2-001A	CUSTOM WORM(ASSY)	N/A
2	1	SP1-011A	WORM BRACKET	ALU 6061-T6
3	1	SP1-012A	WORMSHAFT	STAINLESS 303
4	2	N/A	BALL BEARING B2-11 (BERG)	STAINLESS
5	2	N/A	COMPRESSION SPRING TO SUIT	STAINLESS
6	1	N/A	DOWEL D14-10 (BERG)	STAINLESS
7	1	N/A	HELICAL CPLG ACR075-8-8	ALUMINUM
8	2	N/A	RETAINER Q1-25 (BERG)	STAINLESS
9	4	N/A	SHAFT SPACER SS2-32 (BERG)	STAINLESS



SECTION: SCALE 2:1

REVDATE: 01/15/99	REVISION: UPDATE DRAWING
REVDATE: N/A	REVISION: N/A
DATE: 05/01/97	INSTITUTE FOR ASTRONOMY 2680 WOODLAWN DR. HONOLULU, HI 96822
DESIGN: STAHLBERGER	
DRAWN: STAHLBERGER	
APPR'D: J. RAYNER	
TOLERANCES	
X.X	+/- .015
X.XX	+/- .005
X.XXX	+/- .002
ANGLE	+/- 30 min
FRACTION	+/- 1/32
DRW NO: SP1-001A	SCALE: NOTED
SIZE: A	JOS NO: 725
SHEET: 1 OF 1	

PLOT: 10/19/99

SP0-001B
NEXT ASSY