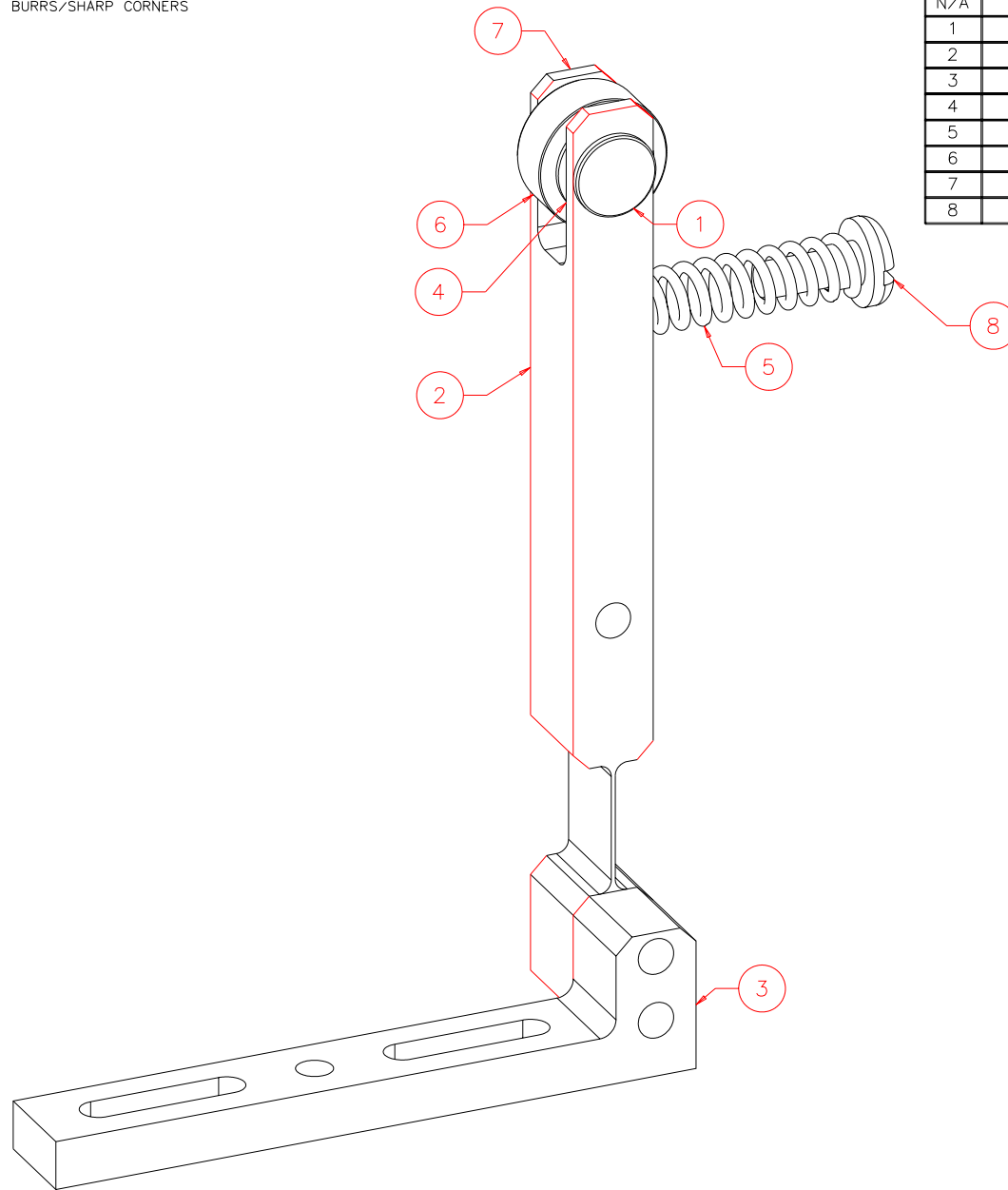


NOTES: UNLESS OTHERWISE NOTED

1. MACHINED SURFACE ROUGHNESS 64
O-RING GROOVES AND SURFACES 32
2. REMOVE ALL BURRS/SHARP CORNERS



ISOMETRIC
SCALE 3/2

BILL OF MATERIAL

NO.	REQ'D	REF DRW	DESCRIPTION	MATERIAL
N/A	1	SP3-001A	DETENT	N/A
1	1	SP3-011A	BEARING PIN	STAINLESS
2	1	SP3-012A	DETENT ARM	TITANIUM
3	1	SP3-013A	MOUNTING ARM	ALU 6061-T6
4	2	N/A	BEARING SPACER SS3-7(BERG)	STAINLESS
5	1	N/A	COMPR.SPRING (SUIT)	STAINLESS
6	1	SP3-017A	DETENT ROLLER	STAINLESS
7	1	N/A	RETAINING RING Q2-25(BERG)	STAINLESS
8	1	SP3-018A	PAN HEAD SCREW CUSTOM	STAINLESS

REVDATE: 09/11/98	REVISION: ADD COMPR.SPRING,EL.LSWITCH
REVDATE: N/A	REVISION: N/A
DATE: 05/01/97	INSTITUTE FOR ASTRONOMY 2680 WOODLAWN DR. HONOLULU, HI 96822
DESIGN: STAHLBERGER	
DRAWN: STAHLBERGER	INSTRUMENT: SPEX - CROSS DISPERSED SPECTROGRAPH
APPR'D: J. RAYNER	PART NAME: DETENT
TOLERANCES	
X.X	+/- .015
X.XX	+/- .005
X.XXX	+/- .002
ANGLE	+/- 30 min
FRACTION	+/- 1/32
DRW NO: SP3-001A	SCALE: N/A
SIZE: A	JOS NO: 725
SHEET: 1 OF 1	

PLOT:10/19/99

SP0-001B
NEXT ASSY