

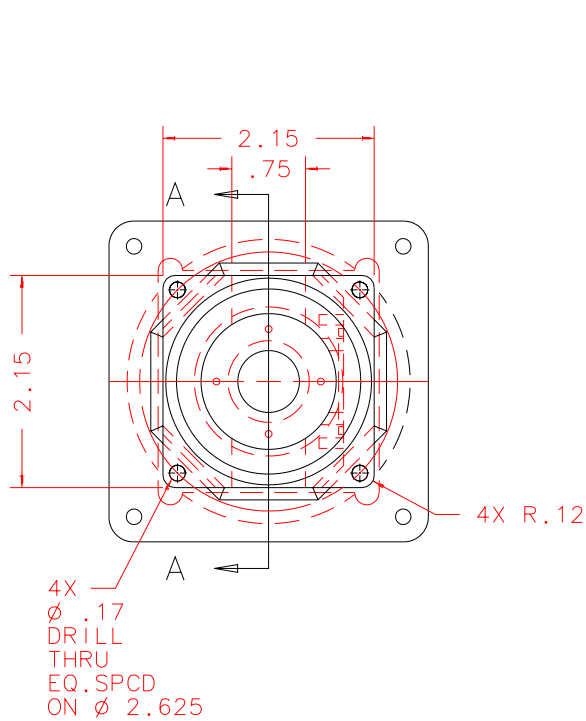
NOTES: UNLESS OTHERWISE NOTED

1. MACHINED SURFACE ROUGHNESS 64  
O-RING GROOVES AND SURFACES 32
2. REMOVE ALL BURRS/SHARP CORNERS

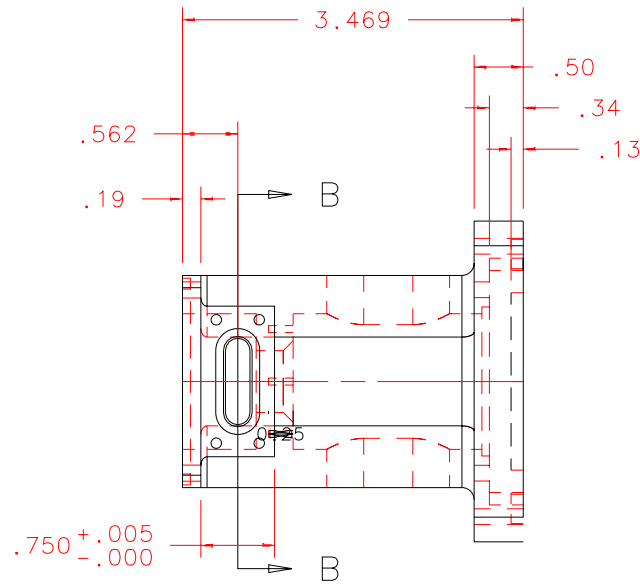
ANODIZE: GOLD

BILL OF MATERIAL

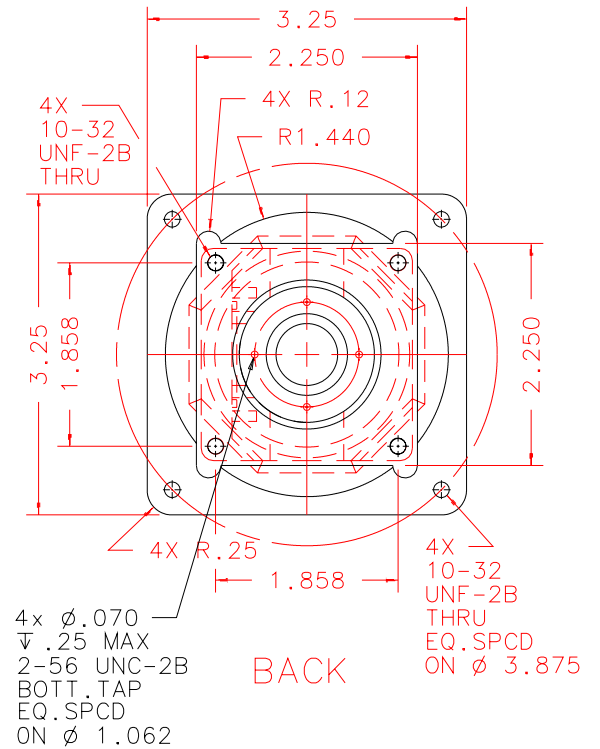
NO.	REQ'D	REF DRW	DESCRIPTION	MATERIAL
N/A	1	SP5-013A	MOTOR MOUNT	ALU 6061-T6



FRONT



RIGHT



BACK

REVDATE: 04/30/98	REVISION: ADD 4x 2-56 FERROCLAMP
REVDATE: 02/05/98	REVISION: ADD DEPTH OF O-RING IN SECTION B
REVDATE: N/A	REVISION: N/A
DATE: 05/07/97	<b>INSTITUTE FOR ASTRONOMY</b>
DESIGN: STAHLBERGER	2680 WOODLAWN DR. HONOLULU, HI 96822
DRAWN: STAHLBERGER	INSTRUMENT: SPEX - CROSS DISPERSED SPECTROGRAPH
APPR'D: J. RAYNER	PART NAME: MOTOR MOUNT
<b>TOLERANCES</b>	
X.X	+/- .015
X.XX	+/- .005
X.XXX	+/- .002
ANGLE	+/- 30 min
FRACTION	+/- 1/32
DRW NO: SP5-013A	SCALE: 1:2
SIZE: A	JOS NO: 725
SHEET: 1 OF 3	

PLOT:10/19/99

SP5-001A
NEXT ASSY