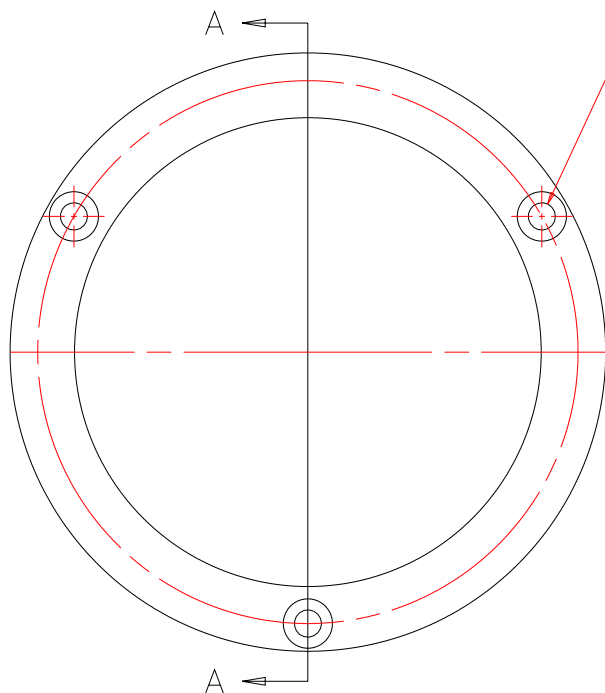


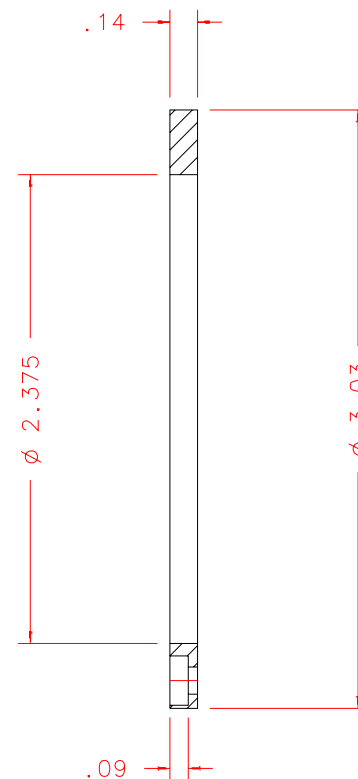
NOTES: UNLESS OTHERWISE NOTED

1. MACHINED SURFACE ROUGHNESS 64
O-RING GROOVES AND SURFACES 32
2. REMOVE ALL BURRS/SHARP CORNERS

BILL OF MATERIAL				
NO.	REQ'D	REF DRW	DESCRIPTION	MATERIAL
N/A	1	SK1-012A	OUTER BEARING RETAINER	STAINLESS 303



3x ϕ .138
DRILL THRU
 \square ϕ .25
EQ. SPCD
ON ϕ 2.750



FRONT

SECTION A-A

PLOT: 10/19/99

SK1-001B
NEXT ASSY

REVDATE: N/A	REVISION: N/A
DATE: 12/11/97	INSTITUTE FOR ASTRONOMY
DESIGN: STAHLBERGER	2680 WOODLAWN DR. HONOLULU, HI 96822
DRAWN: STAHLBERGER	INSTRUMENT: SPEX - CROSS DISPERSED SPECTROGRAPH
APPR'D: J. RAYNER	PART NAME: OUTER BEARING RETAINER
TOLERANCES	
X.X	+/- .015
X.XX	+/- .005
X.XXX	+/- .002
ANGLE	+/- 30 min
FRACTION	+/- 1/32
TELESCOPE: IRTF	
DRW NO: SK1-012A	SCALE: 1:1
SIZE: A	JOS NO: 725
	SHEET: 1 OF 1