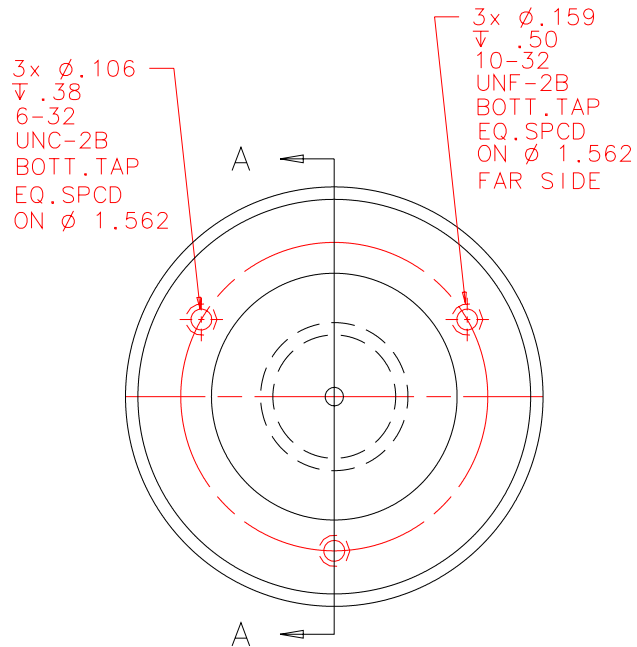


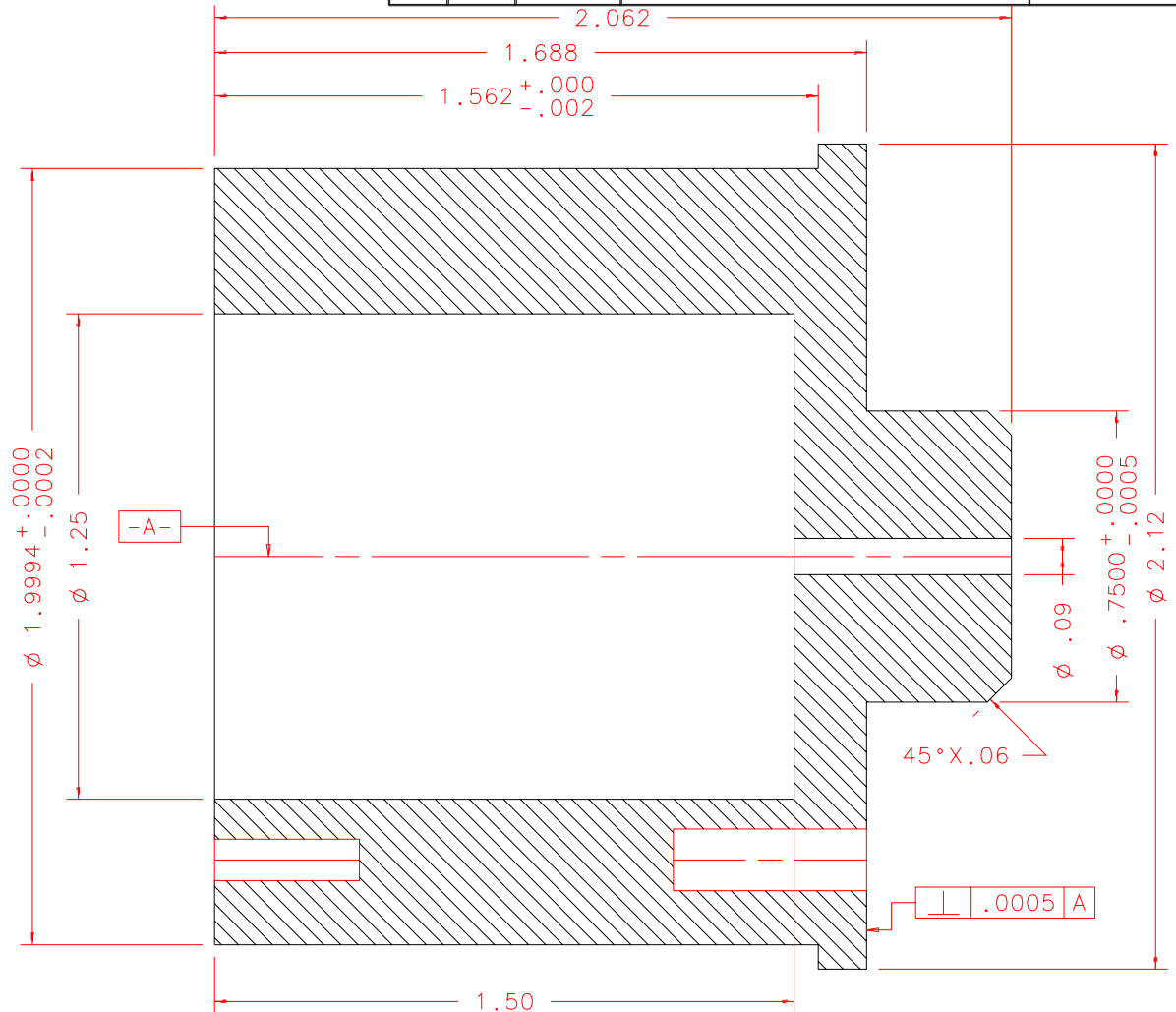
NOTES: UNLESS OTHERWISE NOTED

1. MACHINED SURFACE ROUGHNESS 64  
O-RING GROOVES AND SURFACES 32
2. REMOVE ALL BURRS/SHARP CORNERS

BILL OF MATERIAL				
NO.	REQ'D	REF DRW	DESCRIPTION	MATERIAL
N/A	1	SK1-014A	SHAFT	STAINLESS 303



FRONT: SCALE 1:1



SECTION A-A: SCALE 2:1

ALL DIAMETERS X.XXXXX  
 CONCENTRIC TO  
 WITHIN .0005 TIR

REVDATE: N/A	REVISION: N/A
DATE: 12/11/97	<b>INSTITUTE FOR ASTRONOMY</b>
DESIGN: STAHLBERGER	2680 WOODLAWN DR. HONOLULU, HI 96822
DRAWN: STAHLBERGER	INSTRUMENT: SPEX - CROSS DISPERSED SPECTROGRAPH
APPR'D: J. RAYNER	PART NAME: SHAFT
<b>TOLERANCES</b>	TELESCOPE: IRTF
X.X +/- .015	
X.XX +/- .005	
X.XXX +/- .002	
ANGLE +/- 30 min	
FRACTION +/- 1/32	
SK1-001B	DRW NO: SK1-014A
NEXT ASSY	SCALE: NOTED
	SIZE: A
	JOS NO: 725
	SHEET: 1 OF 1

PLOT: 10/19/99