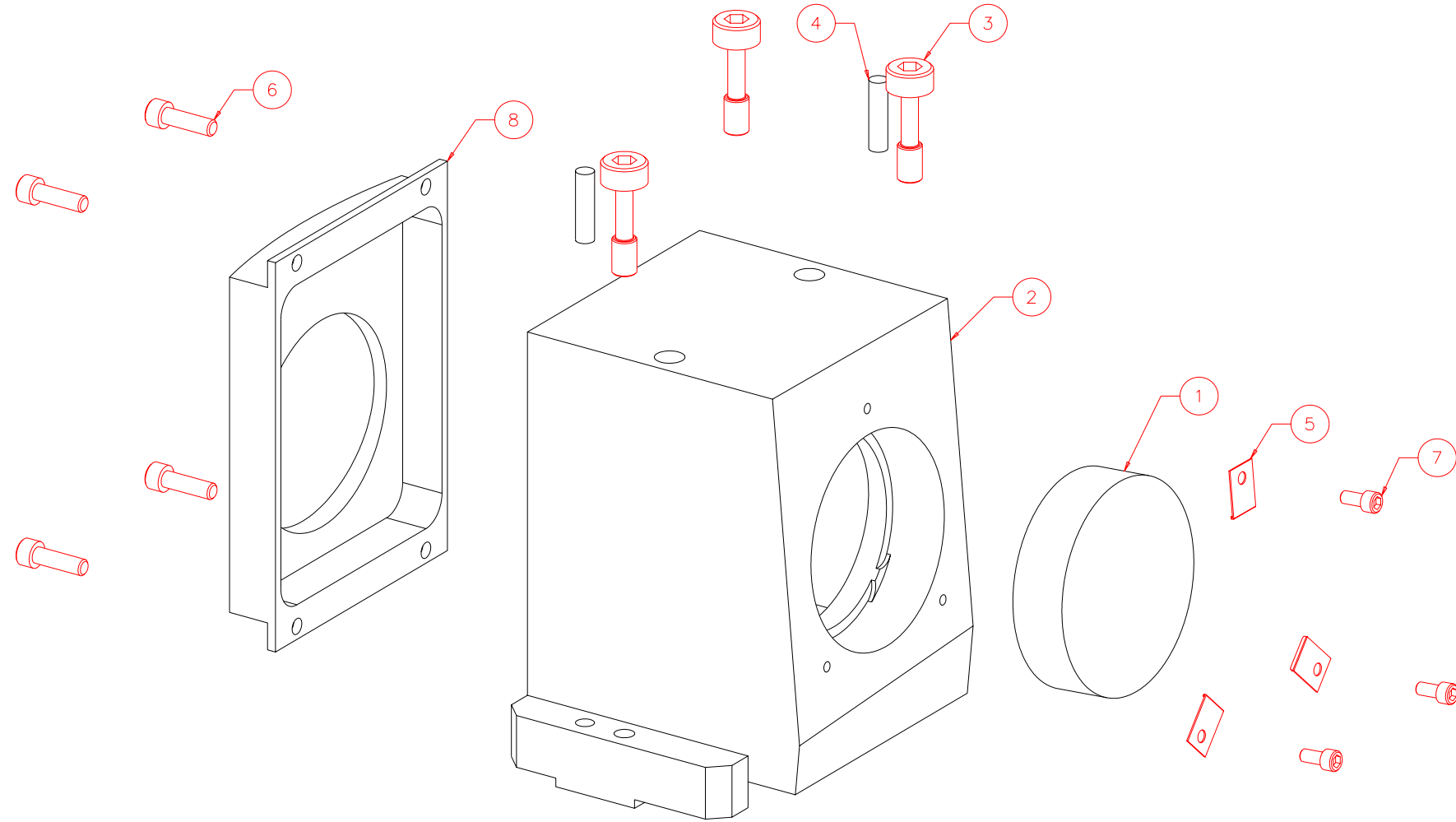


NOTES: UNLESS OTHERWISE NOTED
 1. MACHINED SURFACE ROUGHNESS 64
 O-RING GROOVES AND SURFACES 32
 2. REMOVE ALL BURRS/SHARP CORNERS

BILL OF MATERIAL				
NO.	REQ'D	REF DRW	DESCRIPTION	MATERIAL
N/A	1	SK10-001B	ALIGN MOUNT	N/A
1	1	N/A	ALIGNMENT MIRROR 02 MPG 009	GLASS
2	1	SK10-011B	ALIGNMENT MIRROR MOUNT	ALU 6061-T6
3	3	N/A	CAPTIVE SCREW Z12-6-H(BERG)	STAINLESS
4	2	N/A	DOWEL PIN D14-10(BERG)	STAINLESS
5	3	SK5-026A	GRATING CLIP	PHOS.BRONZE
6	4	N/A	HEX SOCKET HEAD 4-40 x 3/8	STAINLESS
7	3	N/A	HEX SOCKET HEAD 2-56 x 3/16	STAINLESS
8	1	SK9-011A	SLS1 FRONT BAFFLE	ALU 6061-T6



EXPLODED VIEW: SCALE 1:1

REVDATE: N/A	REVISION: N/A
DATE: 08/12/99	INSTITUTE FOR ASTRONOMY
DESIGN: STAHLBERGER	2680 WOODLAWN DR. HONOLULU, HI 96822
DRAWN: STAHLBERGER	INSTRUMENT: SPEX - CROSS DISPERSED SPECTROGRAPH
APPR'D: J. RAYNER	PART NAME: ALIGN MOUNT
TOLERANCES	TELESCOPE: IRTF
X.X +/- .015	DRW NO: SK10-001B
X.XX +/- .005	SCALE: 1:1
X.XXX +/- .002	SIZE: B
ANGLE +/- 30 min	JOS NO: 725
FRACTION +/- 1/32	SHEET: 1 OF 1

PLOT: 10/19/99

SK11-001B
 NEXT ASSY