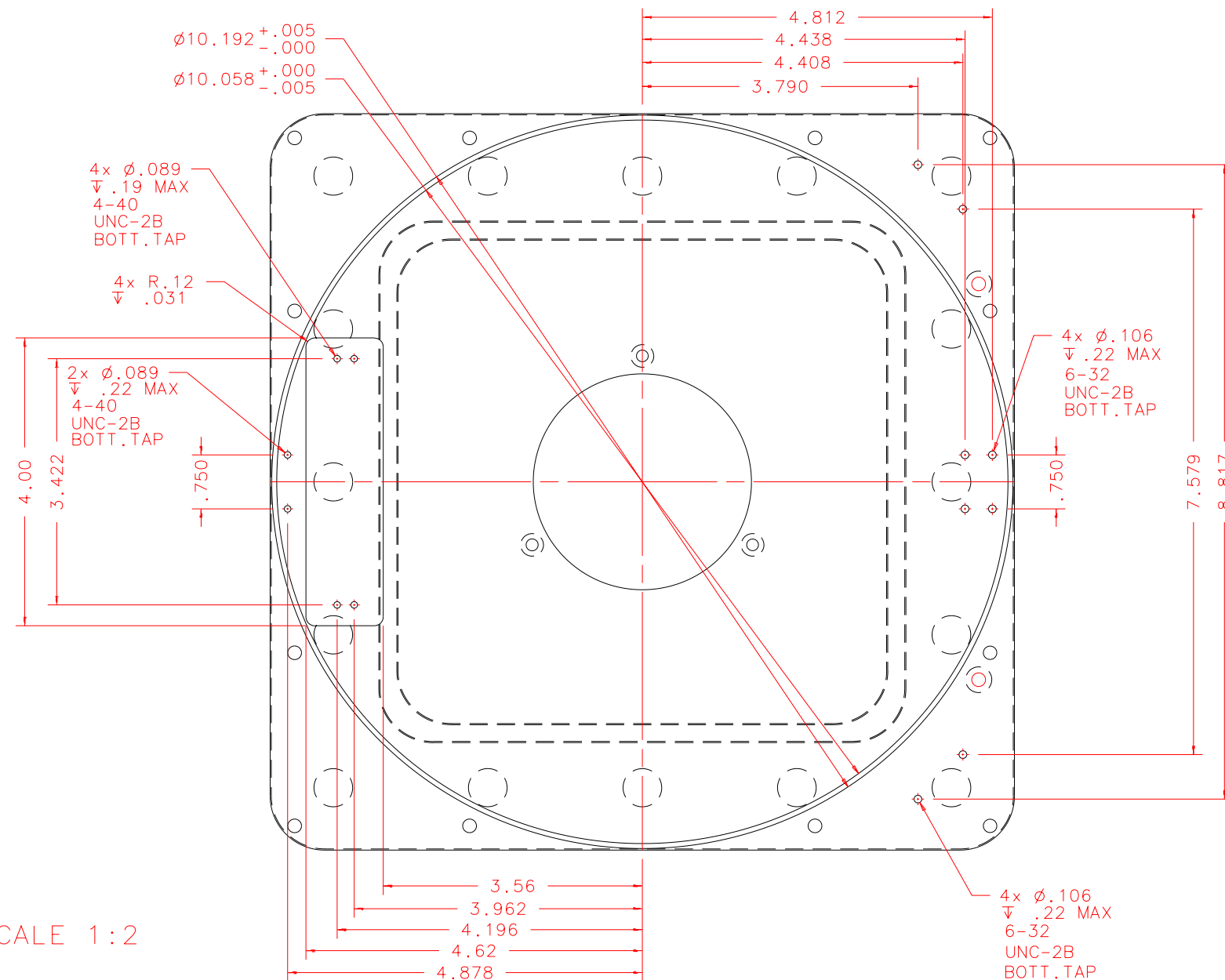
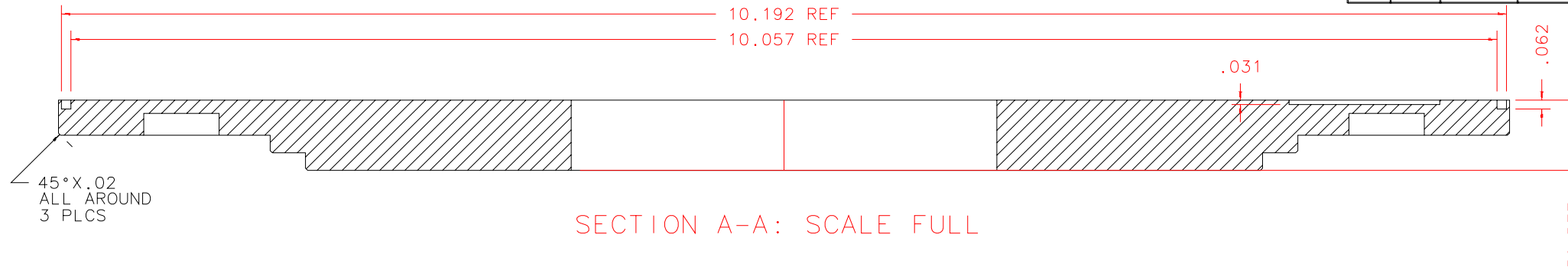


NOTES: UNLESS OTHERWISE NOTED
 1. MACHINED SURFACE ROUGHNESS 64
 O-RING GROOVES AND SURFACES 32
 2. REMOVE ALL BURRS/SHARP CORNERS

BILL OF MATERIAL				
NO.	REQ'D	REF DRW	DESCRIPTION	MATERIAL
N/A	1	SK2-011B	BASE PLATE	ALU 6061-T6



REVDATE: 09/30/98	REVISION: 45 DEG CHAMFER IS .02,NOT.03
REVDATE: 09/30/98	REVISION: CHANGE RAD .500 TO .750 SHEET1 FRONT
REVDATE: N/A	REVISION: N/A
DATE: 12/11/97	INSTITUTE FOR ASTRONOMY
DESIGN: STAHLBERGER	2680 WOODLAWN DR. HONOLULU, HI 96822
DRAWN: STAHLBERGER	INSTRUMENT: SPEX - CROSS DISPERSED SPECTROGRAPH
APPR'D: J. RAYNER	PART NAME: BASE PLATE
TOLERANCES	
X.X	+/- .015
X.XX	+/- .005
X.XXX	+/- .002
ANGLE	+/- 30 min
FRACTION	+/- 1/32
SK2-001B	DRW NO: SK2-011B
NEXT ASSY	SCALE: NOTED
	SIZE: B
	JOS NO: 725
	SHEET: 2 OF 3