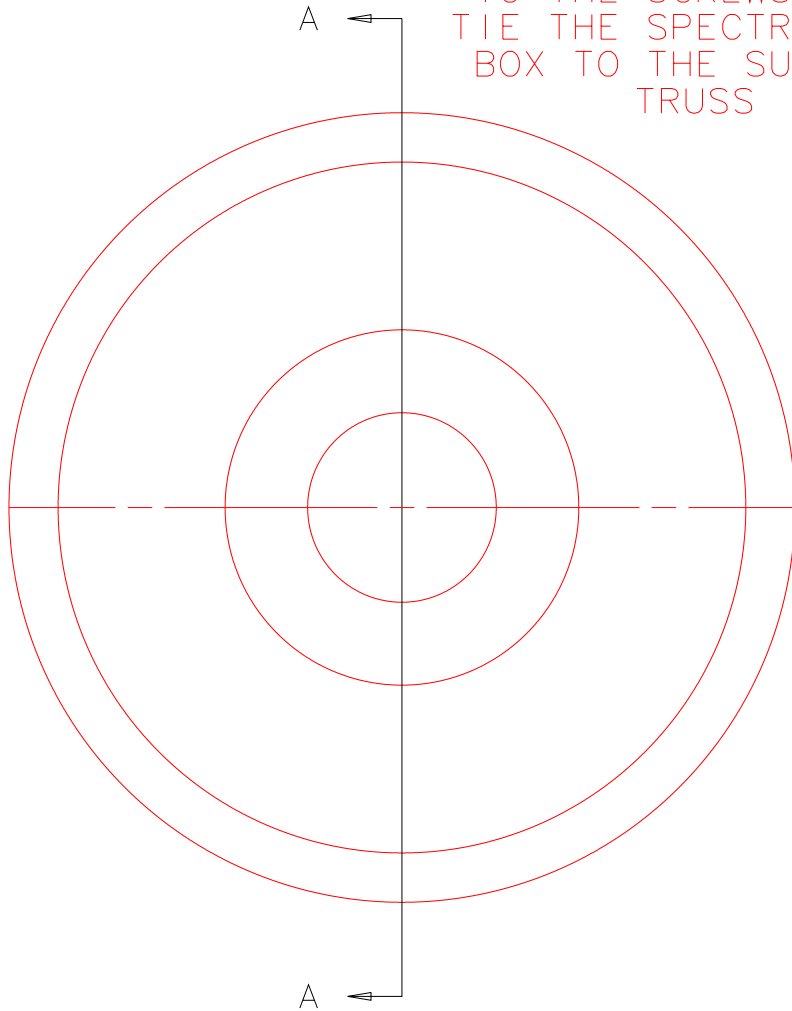


NOTES: UNLESS OTHERWISE NOTED

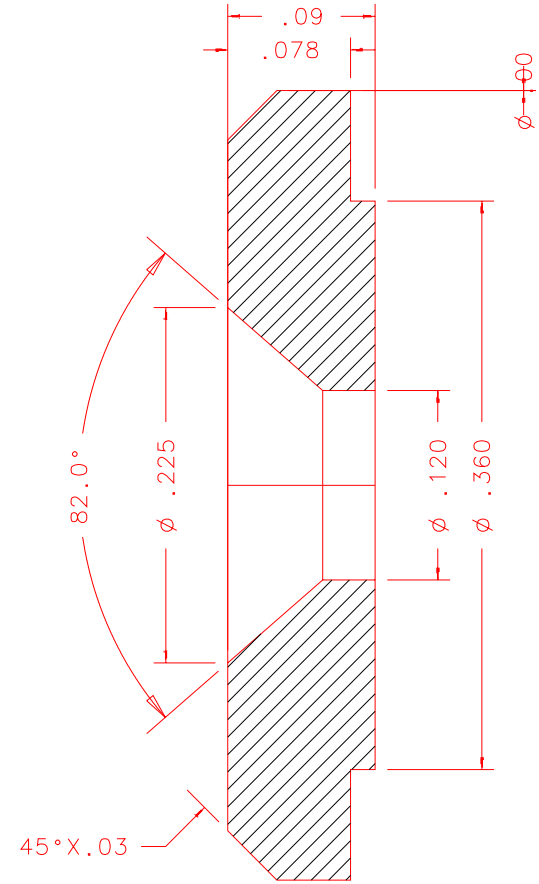
1. MACHINED SURFACE ROUGHNESS 64  
O-RING GROOVES AND SURFACES 32
2. REMOVE ALL BURRS/SHARP CORNERS

THIS PART TO BE  
SECURED WITH  
FLAT HEAD SCREWS  
TO THE SCREWS THAT  
TIE THE SPECTROGRAPH  
BOX TO THE SUPPORT  
TRUSS



FRONT

BILL OF MATERIAL				
NO.	REQ'D	REF DRW	DESCRIPTION	MATERIAL
N/A	16	SK2-012A	DELTRIN LIGHT PLUG	BLK DELTRIN



SECTION A-A

REVDATE: N/A	REVISION: N/A
DATE: 12/12/97	<b>INSTITUTE FOR ASTRONOMY</b>
DESIGN: STAHLBERGER	2680 WOODLAWN DR. HONOLULU, HI 96822
DRAWN: STAHLBERGER	INSTRUMENT: SPEX - CROSS DISPERSED SPECTROGRAPH
APPR'D: J. RAYNER	PART NAME: DELTRIN LIGHT PLUG
<b>TOLERANCES</b>	
X.X	+/- .015
X.XX	+/- .005
X.XXX	+/- .002
ANGLE	+/- 30 min
FRACTION	+/- 1/32
DRW NO: SK2-012A	SCALE: 8:1
SIZE: A	JOS NO: 725
SHEET: 1 OF 1	

PLOT: 10/19/99

SK2-001B  
NEXT ASSY