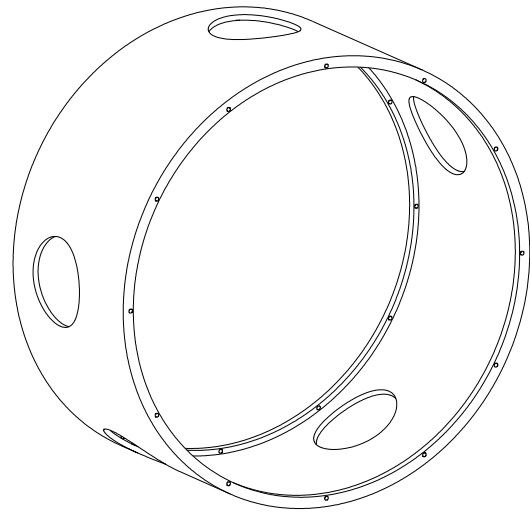
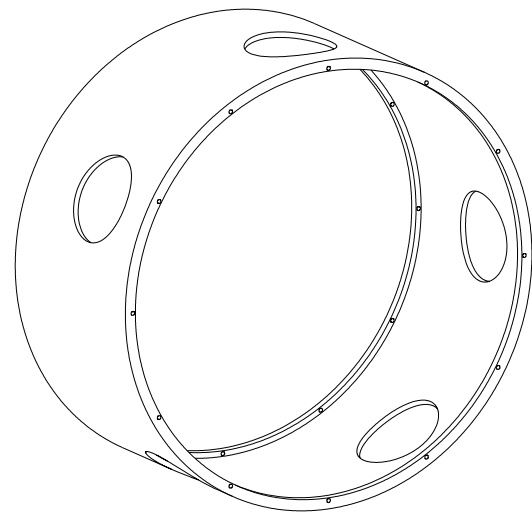


NOTES: UNLESS OTHERWISE NOTED
 1. MACHINED SURFACE ROUGHNESS 64
 O-RING GROOVES AND SURFACES 32
 2. REMOVE ALL BURRS/SHARP CORNERS

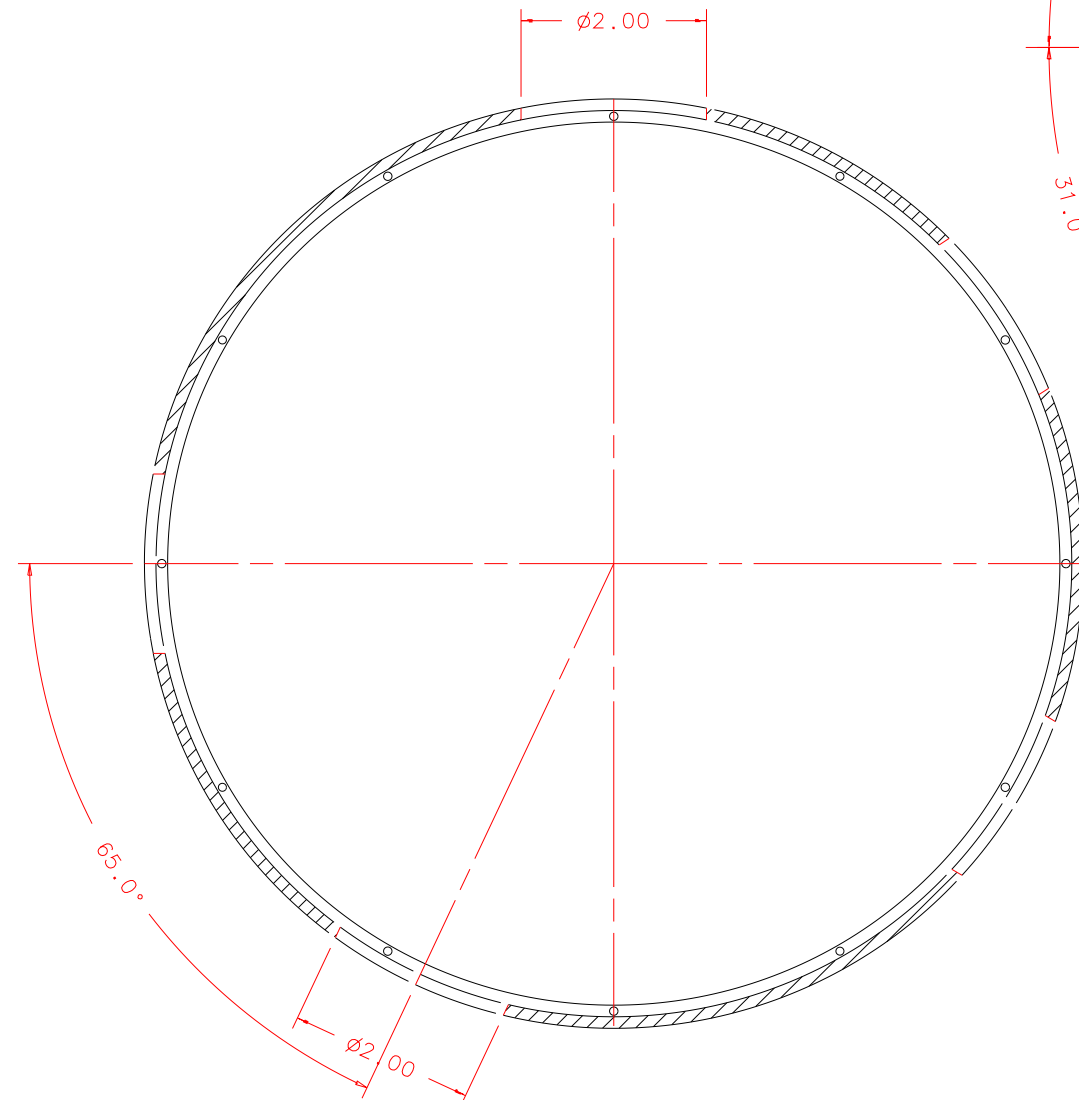
BILL OF MATERIAL				
NO.	REQ'D	REF DRW	DESCRIPTION	MATERIAL
N/A	1	SK2-013B	DRUM	ALU 6061-T6



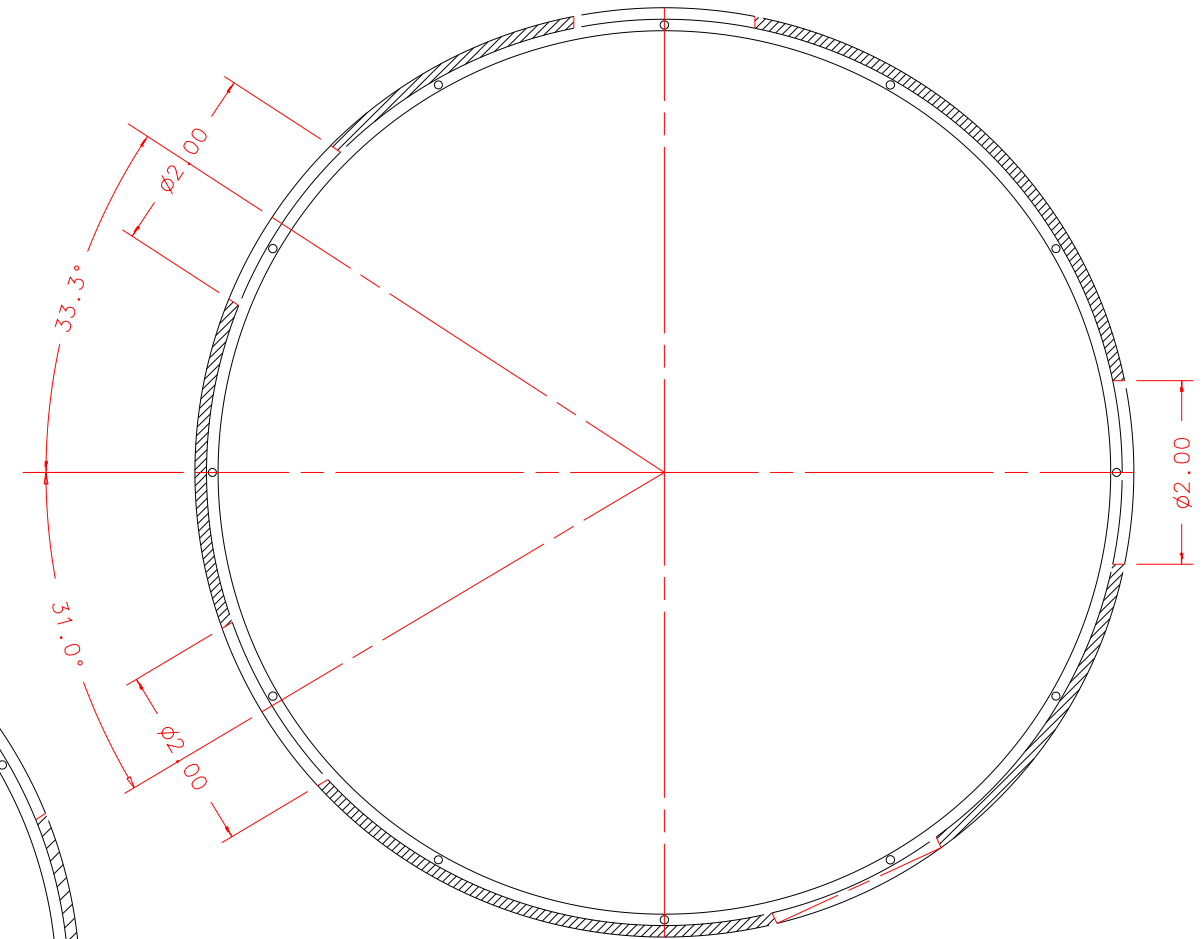
ISOVIEW 6
SCALE 1:2



ISOVIEW 7
SCALE 1:2



SECTION C-C: SCALE 1:1
NOTE: 2 HOLES HAVE CENTERS IN THIS CUTTING PLANE



SECTION B-B:
SCALE 1:2
NOTE: 3 HOLES HAVE CENTERS IN THIS CUTTING PLANE

REVDATE: 09/30/99	REVISION: ADD LIGHT HOLES QTY 5	
REVDATE: 03/29/99	REVISION: ADD MISSING DIM DIA 9.875	
REVDATE: N/A	REVISION: N/A	
DATE: 12/12/97	INSTITUTE FOR ASTRONOMY	
DESIGN: STAHLBERGER	2680 WOODLAWN DR. HONOLULU, HI 96822	
DRAWN: STAHLBERGER	INSTRUMENT: SPEX - CROSS DISPERSED SPECTROGRAPH	
APPR'D: J. RAYNER	PART NAME: DRUM	
	TELESCOPE: IRTF	
TOLERANCES		
X.X	+/- .015	
X.XX	+/- .005	
X.XXX	+/- .002	
ANGLE	+/- 30 min	
FRACTION	+/- 1/32	
SK2-001B	DRW NO: SK2-013B	SCALE: NOTED
NEXT ASSY	SIZE: B	JOS NO: 725
		SHEET: 2 OF 2